

#1 Trusted Marine Plumbing System

# MARELON®

## Better Than Bronze!

- Reduces installation time & labor
- Rugged polymer formula will never corrode
- For use above or below waterline
- No bonding or grounding necessary
- Can be used on any hull material
- Thousands of valve configurations

**Used by Over 450  
Worldwide Boat Builders**



**Made in USA**



Composite Polymer  
Marine Plumbing Components

**FORESPAR®**  
PERFORMANCE PRODUCTS

[www.forespar.com](http://www.forespar.com)

# The Marelon® Advantage

Over 40 Years of Polymer Marine Plumbing Development



Over 40 Years of Polymer Plumbing Experience



Used By Over 450 Boat Builders

## Better Than Bronze

MARELON is an extremely strong, marine-grade, polymer composite built for long term use in all applications.

For 40 years, sailors and powerboaters have been relying on Marelon products to provide reliable and unfailing service in their boats. Marelon valves and parts have been in constant, dependable use for decades and many of the original valves produced are still on duty in their boats. At Forespar, we pride ourselves on quality, reliability and dependability. Every Marelon product is hand-made in our California factory with the same heritage of quality we have proudly maintained for 40 years.

MARELON products are ABYC compliant and can be used above and below the waterline. Over 2500 different MARELON Pro Series™ valve configurations are available, as well as thru-hulls, fittings, vented loops, water strainers, and other commonly used plumbing parts.

### Outperforms Other Marine Plumbing Materials

	Marelon®	PVC	Bronze
Immune To Corrosion	✓	✓	✗
No Bonding Wires Needed	✓	✓	✗
Suitable Below Waterline	✓	✗	✓
Suitable Hull Materials	All Hull Types	All Hull Types	Not for Steel or Aluminum Hulls
Passes ABYC 500 lb. Strength Test	✓	✗	✓
ABYC Compliant	✓	✗	✓
Passes USCG Fire Test	✓	✗	✓
Immune To Lightning Damage	✓	✓	✗
Relative Weight (1.5" Ball Valve Seacock)	1.48 lbs	1.65 lbs	6 lbs
Resistant To Cracking	✓	✗	✓

#### LIMITED WARRANTY

Forespar® accepts no responsibility for valve or thru-hull components which are improperly installed, tampered with or have inadequate access for service and maintenance.

## Trusted, Tested & Certified

- For Use Above or Below Waterline
- Exclusive Polymer Formulation That Will Never Corrode
- Can be Used with Any Hull Material
- Requires No Bonding Wires
- Immune to Lightning Strike Damage
- Saves Weight for Better Speed & Efficiency

### See Marelon's Full Range of Integrated Components

Product	Pages
Seacocks	5-13
Valves	5-13
Thru-Hulls	14-15
Strainers	18
Vented Loops	17
Connectors	16-17
Sink Wastes	20
Deck Fills	19
Drains & Drain Plugs	19-20

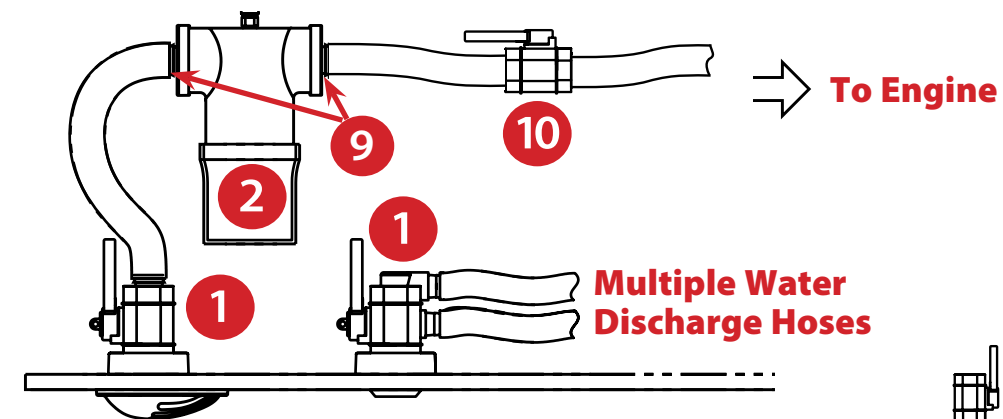


## Typical Installations

### Shown Marelon Integrated Parts

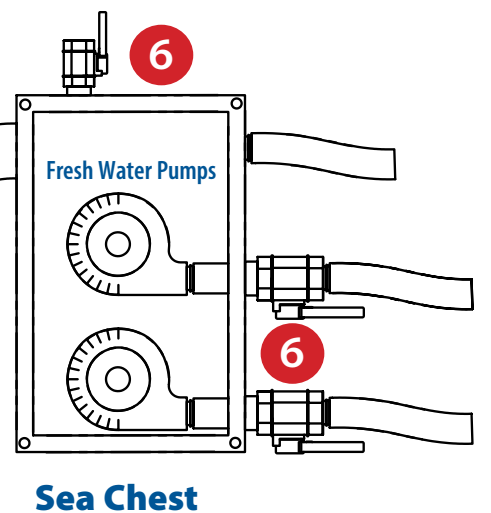
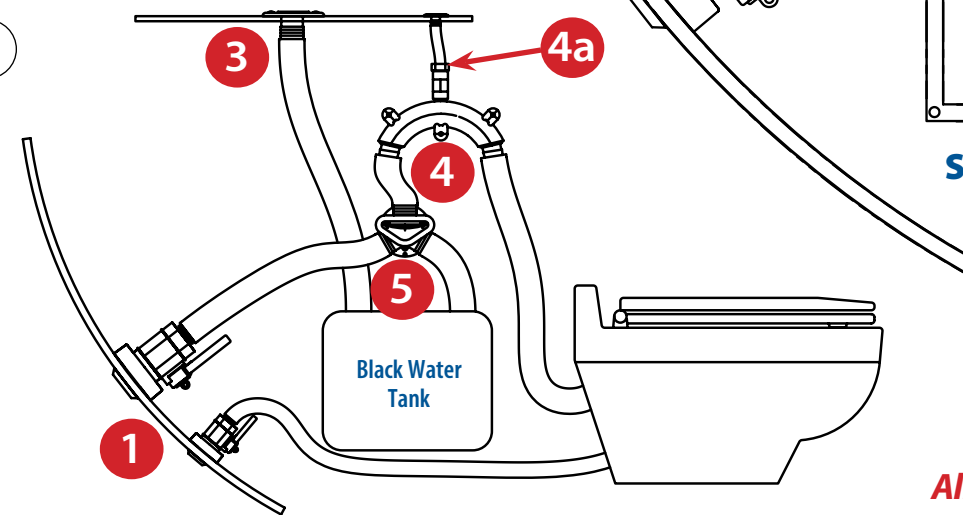
- 1 Pro Series Valve/Seacock
- 2 Titan Strainer
- 3 Deck Fill for pump out
- 4 Vented Loop
- 4a Optional Deck Vent
- 5 Y-Valve
- 6 Threaded Pro Series Valves
- 7 Tank Vent
- 8 T 150 Strainer
- 9 1-1/2" Barb Adapter
- 10 Barbed In-Line Ball Valve

### Engine Cooling Water Intake with Flush-Out T-Strainer



Multiple Water Discharge Hoses

### Marine Head

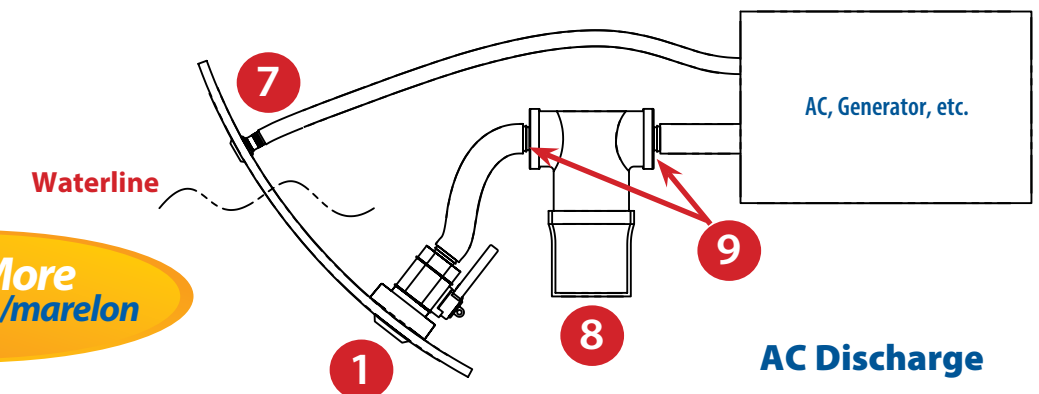


Sea Chest

All Drawings Not to Scale

#### Important Note About Head Installations

Siphoning can occur without proper vented loop placement. Always consult your marine toilet's instructions for proper installation.



Learn More  
[forespar.com/marelon](http://forespar.com/marelon)



# Marelon Pro Series™ Valves & Seacocks



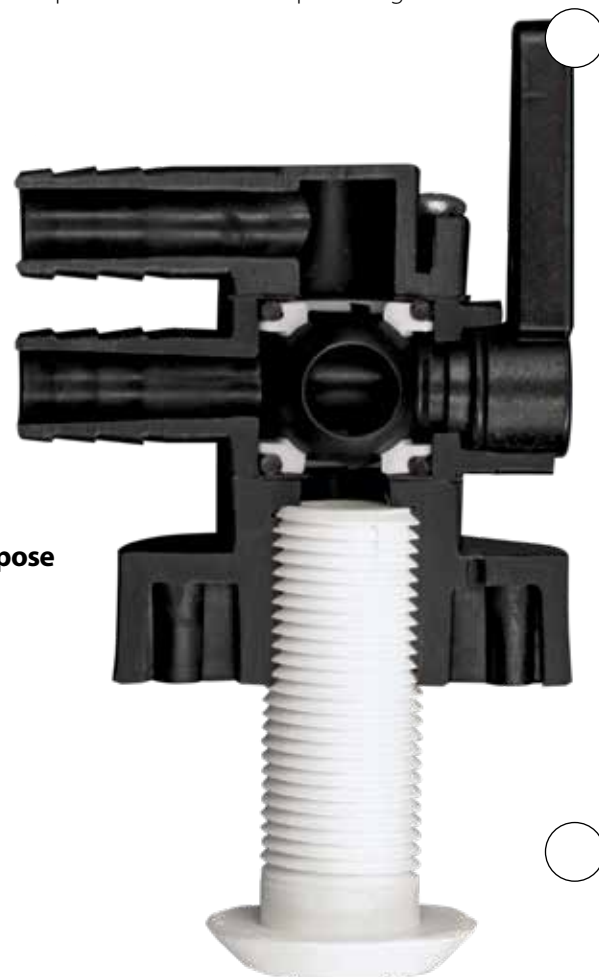
## The Versatile Valves of Choice for Over 450 Boat Builders

With over 2500 possible configurations, Marelon® Pro Series valves offer unprecedented options for reducing the size and complexity of installations. Durable and lightweight, they can be configured with dual inputs or outputs, and used as seacocks or inline valves. This helps reduce the total amount of plumbing needed in most boat designs. Suitable for below the waterline use, every valve meets the strict ABYC requirements for marine plumbing.

## Benefits to Builders & Owners

- Lightweight, yet extremely strong injection-molded parts
- Complete freedom from any corrosion
- Complete freedom from electrolysis or reaction to any metals
- Outstanding operating temperature range (-22° to +176° F.)
- Outstanding U.V. resistance
- Fully Modular construction can be custom tailored to any purpose
- Long term reliability and serviceability
- No bonding (electrical) required
- Can be used on aluminum, steel, wood or FRP hull forms
- Can be used with or on any metal fittings

Learn More  
[forespar.com/marelon](https://forespar.com/marelon)



# Pro Series Valves Offer 1000s of Potential Configurations

## All-in-One Design Saves Production Time



## Pro Series Valves Offer Interchangeable Intake/Output Port Design Flexibility

Forespar's popular Marelon® Pro Series™ valves are available in many custom configurations made to fit your exact specifications. Use this guide to determine the correct top, body and base components needed to fit your needs

Just select your desired top, body & base style from the choices inside this brochure, then enter the corresponding style number into the appropriate column of the product number sequence as shown in the examples in the following pages.

All Marelon® Pro Series Valves Are:



Available with  
Threaded or Barbed  
Port Connections

See the Following Pages for Standard Popular Valve Styles or How to Order Your Customized Configuration



### Important Note On Seacock Installation

Pro Series seacocks can be installed onto Pro Series buttress thread thru-hulls, or ordered for installation onto NPSM thru-hulls. A backing block attached to the inside of the hull is recommended to provide the most stable possible mounting strength. Threads of both the thru-hull and seacock should be prepared with marine sealant.

# Custom OEM Pro Series™ Valves/Seacocks

## How To Spec Your Custom Pro Series Valve Part Number

Just select your desired Base, Body & Top style from the corresponding choices shown in the drawings below, then enter the corresponding style number into the appropriate column of the product number sequence as shown in the examples below.



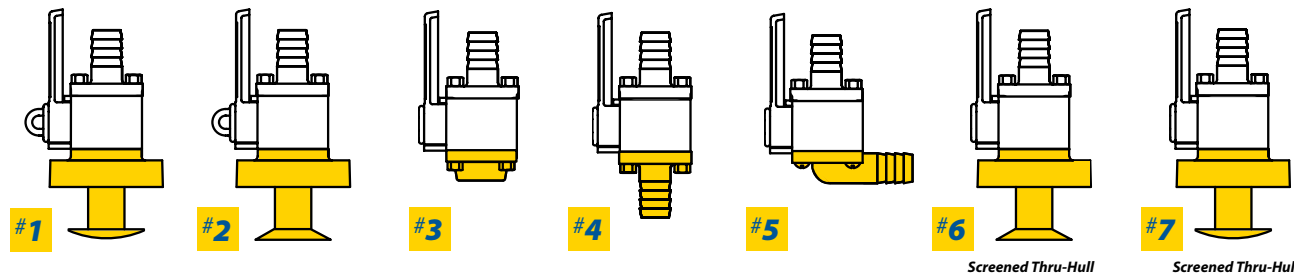
## Custom Part Number for Example Shown on Left - Part# 931155

		Base #	Body #	Top #	Size #	Modifiers
9	3	1	1	5	5	Blank by Default

**93 Denotes a Pro Series Valve**

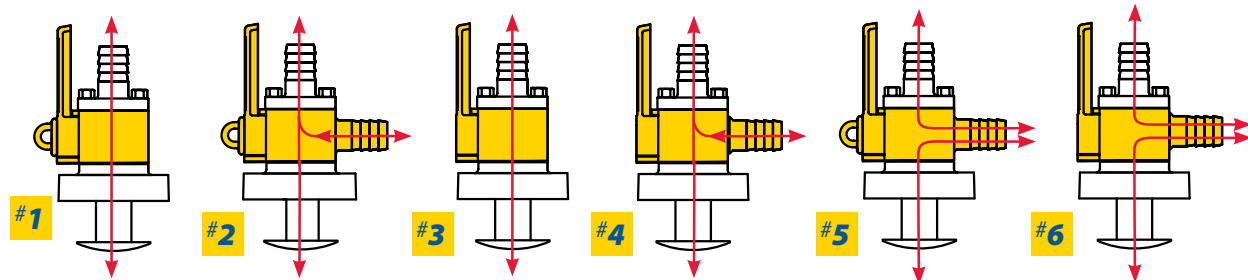
## Step-by-Step Guide to Creating a Custom Valve Part Number

### Step 1 - Select a Base Option: Use the corresponding number as your "Base" #



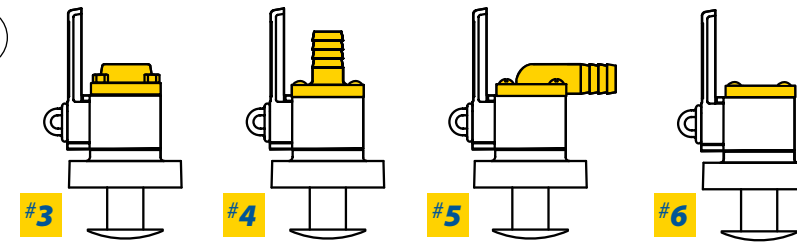
- 1** Flanged, seacock base with mushroom head buttress threaded thru-hull
- 2** Flanged, seacock base with a flush head buttress threaded thru-hull.
- 3** Female NPSM threaded base.
- 4** Straight barbed tailpipe.
- 5** 90 degree elbow barbed tailpipe.
- 6** Flanged, seacock base with screened flush head buttress threaded thru-hull.
- 7** Flanged, seacock base with screened mushroom head buttress threaded thru-hull.
- 8** Black thru-hull (standard is white).
- 9** NEW - Extra long thru-hull (5-3/4" long).

### Step 2 - Select a Body Option: Use the corresponding number as your "Body" #



- 1** Straight flow, single port with a thru-hull plug for use with our buttress thru-hulls
- 2** Double port, Y-valve with body barb opposite the handle with a thru-hull plug
- 3** Straight flow, single port with no thru-hull plug; only a flush cap on the handle
- 4** Double port, Y-valve with body barb opposite the handle with a flush cap on the handle
- 5** Double port "Dual Drain" with the body barb opposite the handle and a thru-hull plug
- 6** Double port "Dual Drain" with the body barb opposite the handle and flush cap handle

### Step 3 - Select a Top Option: Use the corresponding number as your "Top" #



- 3** Female threads
- 4** Straight hose barb tailpipe
- 5** Low profile 90 degree elbow hose barb.
- 6** Blank top only (used on very few configurations with body 5 & 6 only)
- 7** NOT SHOWN - Female garden hose fitting (used only on engine flush-out valves body #2 & 4)

### Step 4 - Select a Body Option: Select the size of the valve from this chart and use that as your "Size" #

Select the size of the valve from this chart and use that as your "Size" #

Valve Size	1/2"	3/4"	1"	1-1/8"	1-1/4"	1-1/2"	2"
Part # Code	2	3	4	0-4	5	6	8

### Step 5 - (Optional) Select Special Modifier Codes from the List Below: These will be your "Modifier" codes.

- N** Specifies an NPSM straight threaded base for seacock valves, allowing the valve to be installed on a standard thru hull. No thru hull or thru-hull plug will be included on a valve with this option.
- B** Specifies a BSP threaded base (1" to 2"). No thru-hull or handle plug is provided.
- C** Specifies a chromed mushroom head buttress thread thru-hull.
- L** The top elbow needs to face left. (From the point of view looking at the top of the valve, with the handle facing down.)
- R** The top elbow needs to face right. (From the point of view looking at the top of the valve, with the handle facing down.)
- E** Specifies the valve is to be used with ROV electric motor. (OEM only - see page 21 for ROV motor options)
- V** Specifies an anti-venturi style thru hull to be paired with the valve. Does not include thru-hull plug.
- K** Specifies a handle lock-off plate to satisfy USCG requirements, usable with standard padlocks. (Only available on 1" & 2" valve sizes)
- Z** Specifies a Large Speed Scoop. (Only available on 1-1/2" & 2" valve sizes)

### My Custom Part Number Use this table to help create your custom valve part number

#### Enter Your Custom Part Number Below

		Base #	Body #	Top #	Size #	Modifiers
9	3					

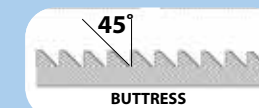
Remains Constant  
Indicates Pro Series Valve

Blank by Default  
Multiple Modifiers  
Acceptable

## Pro Series Valves Thru-Hull Threads

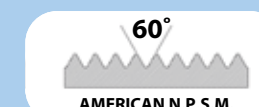
### Thread Types

Marelon Pro Series seacocks come standard with extra-strong buttress threads, and must be used with their included thru hull.



**Standard**

All seacocks can be ordered with optional NPSM threads that will fit most other thru hulls by including the "N" modifier in your custom valve part number above.



**Optional**

All threaded attachments should be made with teflon tape or marine sealant.





# Marelon® Pro Series™ Valve Technical Data

## ⚠ A Word On Thread Compatibility

*Pro Series Valves Can Be Custom Ordered With BSP Threads*

### Pro Series Seacock Valves Use Buttress Threaded Thru-hulls

All seacock style Pro Series valves come equipped with their own Marelon thru-hull valve. These thru-hulls feature a "buttress" style thread with flat thread faces that provide superior strength for below-the-waterline use. This thread type is ONLY used in the thru-hulls and seacock base, and these valves can also be ordered with NPSM threaded bases for use with all common marine thru-hulls.



### NPSM vs. NPT

ALL Marelon valves and fittings feature straight NPSM threads for any threaded connection (outside of the previously mentioned Pro Series thru-hulls). NPSM threads are used for most marine plumbing applications in the US and we recommend that these parts be securely mated with other NPSM parts using teflon tape or common marine thread sealants.

Some parts from other manufacturers feature NPT threads, which share the same thread form and pitch as NPSM threads of the same size, but are cut narrower near the end of the thread to facilitate sealing. NPT and NPSM threads can be used together with a liberal application of marine sealant but Forespar does not warranty this usage.



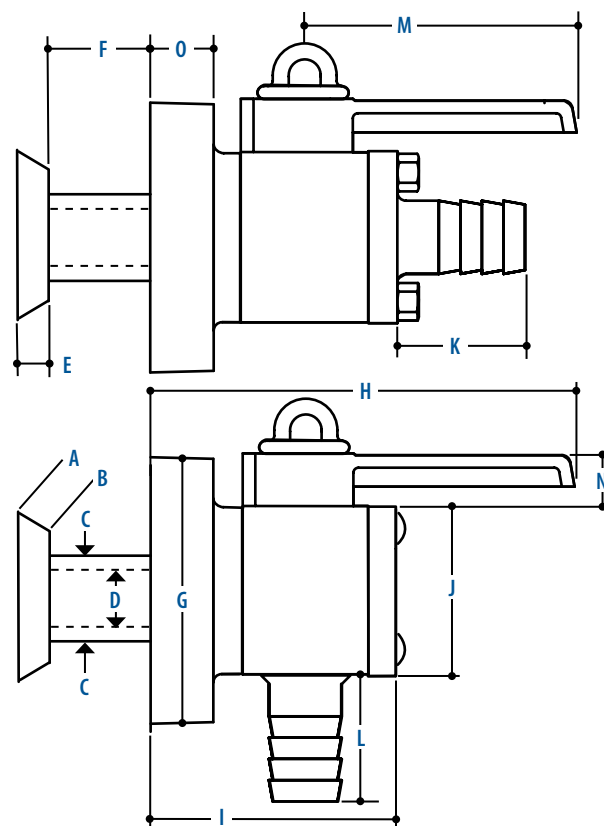
**Compatible With Metal Thru-Hulls**  
Special Order - Contact Us for Order Minimums

### BSP Threads and Other Thread Standards

BSP, or British Standard Pipe threads are commonly used in Europe and are incompatible with NPSM threads. Forespar makes our range of valves and many of our plumbing parts available with BSP threads by special order, please contact Forespar if you have need of these parts.

## Marelon® Pro Series Hose Barb Valve Specs

Marelon® Pro Series Hose Barb Valves allow for quick and secure hose installation through a wide array of sizes. Valves can also be configured with a combination of horizontal or vertical ports to adapt for tight hull spaces.



### Pro Series Critical Dimension Table

Corresponding Diagram Dimension	Valve Sizes		
	1/2" (12.7 mm) 3/4" (19.05 mm)	1" (25.4 mm) 1-1/4" (31.75 mm)	1-1/2" (38.1 mm) 2" (50.8 mm)
A - TH HEAD MAJOR DIA.	1.7" (44 mm)	2.2" (56 mm)	2.8" (71 mm)
B - TH HEAD MINOR DIA.	1.3" (32.5 mm)	1.7" (43 mm)	2.2" (55 mm)
C - TH THREAD OUTSIDE DIA.	1.1" (28 mm)	1.6" (41 mm)	2.1" (53 mm)
D - TH INSIDE DIA.	0.6" (16 mm)	1.05" (27 mm)	1.7" (42 mm)
E - TH HEAD THICKNESS	0.25" (6 mm)	0.25" (6 mm)	0.24" (6 mm)
F - MAX TH THREAD LENGTH *	2.4" (61 mm)	2.4" (61 mm)	2.4" (61 mm)
G - KING NUT DIA.	3.1" (80 mm)	3.75" (95 mm)	4.2" (107 mm)
H - HEIGHT WITH HANDLE	4.5" (114 mm)	6.2" (157 mm)	7.6" (194 mm)
I - OVERALL BODY HEIGHT	3.2" (81 mm)	4" (102 mm)	5.25" (133 mm)
J - BODY WIDTH	1.75" (45 mm)	2.3" (59 mm)	3.1" (79 mm)
K - BARB LENGTH	1.3" (33 mm)	1" barb = 1.25" long (32 mm); 1-1/4" barb = 1.50" long (38 mm)	1.5" (38 mm)
L - SIDE BARB LENGTH	1.5" (37 mm)	1.5" (38 mm)	1.75" (45 mm)
M - HANDLE LENGTH (from axis)	2.5" (64 mm)	4" (102 mm)	5" (127 mm)
N - HANDLE STICKOUT	0.6" (15 mm)	0.8" (20 mm)	1" (25.4 mm)
APPX. WEIGHT	10 oz (0.28 kg)	18 oz (0.51 kg)	28 oz (0.79 kg)
O - KING NUT THICKNESS	0.9" (23 mm)	1" (25 mm)	1.1" (28 mm)

\* DISTANCE FROM BASE OF SEACOCK TO BOTTOM OF TH HEAD WITH MINIMUM SAFE THREAD ENGAGEMENT OF 5 THREADS

## Threaded Base Pro Series Valves



All Marelon® Pro Series Valves Are:



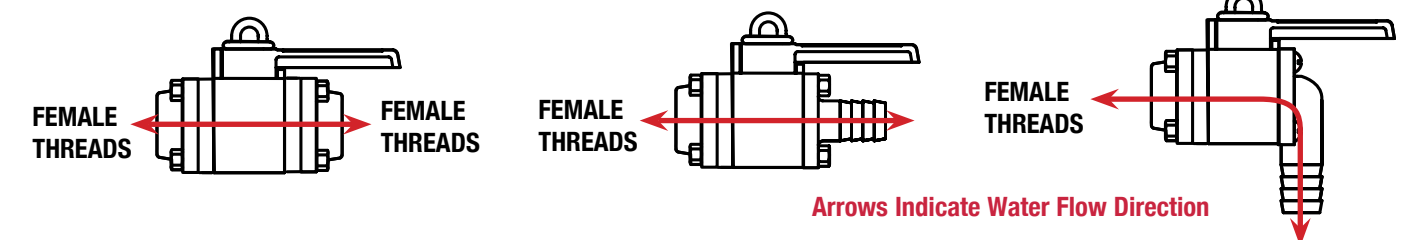
Forespar's Pro Series line of valves is designed to meet the demanding requirements of boatbuilders who need a product tailored to their specific installations, and boat owners who want the most reliable and rugged plumbing available. We stand behind this line with decades of experience, and a robust warranty.

Pro series valves can be specified as inline valves, seacocks, Y-valves and dual drains and all feature a three-part construction that enables their versatility and long-term maintainability. Each valve can be easily disassembled for cleaning, as well as to replace the O-rings - a necessary maintenance procedure in every valve on the market. Our seacock valves come with their own thru-hulls in screened, flush, as well as anti-venturi styles. We also include a bung plug where applicable that slots right into the handle, so owners can perform maintenance without having to haul the boat by plugging the thru-hull from the outside.

*In addition to what is available using our part number configuration, there are even more modifications available for OEMs including longer and shorter thru hulls, and pre-packaged kits to reduce clutter and confusion on the factory floor.*

### Pro Series Hose Barb Inner (I.D.)

Valve Size	Hose Barb Inner I.D.
1/2"(12.7mm)	0.462"(11.73mm)
3/4"(19.05mm)	0.52"(13.20mm)
1"(25.4mm)	0.790"(20.06mm)
1-1/4"(31.75mm)	1.05"(26.67mm)
1-1/2"(38.1mm)	1.25"(31.75mm)
2"(50.8mm)	1.54"(39.11mm)



Valve P/N	Size
933332	1/2"(12.7mm)
933333	3/4"(19.05mm)
933334	1"(25.4mm)
933335	1-1/4"(31.75mm)
933336	1-1/2"(38.1mm)
933338	2"(50.8mm)

Valve P/N	Size
933342	1/2"(12.7mm)
933343	3/4"(19.05mm)
933344	1"(25.4mm)
933345	1-1/4"(31.75mm)
933346	1-1/2"(38.1mm)
933348	2"(50.8mm)

Valve P/N	Size
933352	1/2"(12.7mm)
933353	3/4"(19.05mm)
933354	1"(25.4mm)
933355	1-1/4"(31.75mm)
933356	1-1/2"(38.1mm)
933358	2"(50.8mm)

# Standard Pro Series Valves/Seacock

## Common Valves Configurations Ready for Order

To make things as easy as possible for boat builders, our Standard Pro Series seacocks and valves offer common port styles, directions and flow pattern configurations in an "in-stock" offering. Pre-assembled and ready to go, they meet all design criteria and exceed all mechanical property requirements specified by the ISO, UL, CE, IMCI and ABYC.

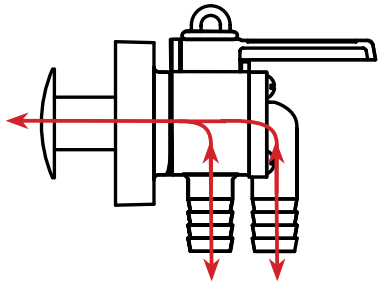
- Popular Port & Hose Barb Combinations
- Standard with Buttress Thread Thru-hulls
- NPSM or BSP Threaded Bases are available 3/4" to 2" for use with existing thru-hulls
- U.L. Approved & ISO 9093-2 Certified
- A.B.Y.C. Compliant



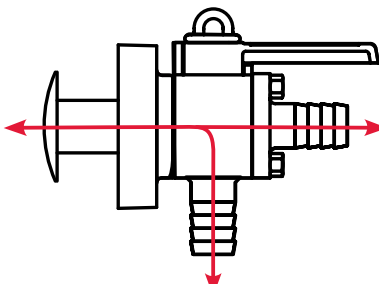
All Marelon® Pro Series Valves Are:



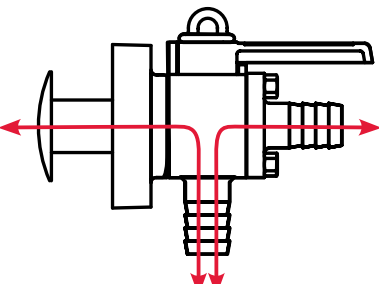
Arrows Indicate Water Flow Direction



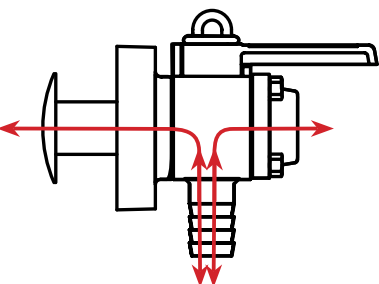
Mushroom Thru-Hull Size	Flush Thru-Hull Size	Mushroom Screened Thru-Hull Size	Flush Screened Thru-Hull Size
931252 1/2"(12.7mm)	932252 1/2"(12.7mm)	937452 1/2"(12.7mm)	936452 1/2"(12.7mm)
931253 3/4"(19.05mm)	932253 3/4"(19.05mm)	937453 3/4"(19.05mm)	936453 3/4"(19.05mm)
931254 1"(25.4mm)	932254 1"(25.4mm)	937454 1"(25.4mm)	936454 1"(25.4mm)
931255 1-1/4"(31.75mm)	932255 1-1/4"(31.75mm)	937455 1-1/4"(31.75mm)	936455 1-1/4"(31.75mm)
931256 1-1/2"(38.1mm)	932256 1-1/2"(38.1mm)	937456 1-1/2"(38.1mm)	936456 1-1/2"(38.1mm)
931258 2"(50.8mm)	932258 2"(50.8mm)	937458 2"(50.8mm)	936458 2"(50.8mm)



Mushroom Thru-Hull Size	Flush Thru-Hull Size	Mushroom Screened Thru-Hull Size	Flush Screened Thru-Hull Size
931242 1/2"(12.7mm)	932242 1/2"(12.7mm)	937442 1/2"(12.7mm)	936442 1/2"(12.7mm)
931243 3/4"(19.05mm)	932243 3/4"(19.05mm)	937443 3/4"(19.05mm)	936443 3/4"(19.05mm)
931244 1"(25.4mm)	932244 1"(25.4mm)	937444 1"(25.4mm)	936444 1"(25.4mm)
931245 1-1/4"(31.75mm)	932245 1-1/4"(31.75mm)	937445 1-1/4"(31.75mm)	936445 1-1/4"(31.75mm)
931246 1-1/2"(38.1mm)	932246 1-1/2"(38.1mm)	937446 1-1/2"(38.1mm)	936446 1-1/2"(38.1mm)
931248 2"(50.8mm)	932248 2"(50.8mm)	937448 2"(50.8mm)	936448 2"(50.8mm)



Mushroom Thru-Hull Size	Flush Thru-Hull Size	Mushroom Screened Thru-Hull Size	Flush Screened Thru-Hull Size
931542 1/2"(12.7mm)	932542 1/2"(12.7mm)	937642 1/2"(12.7mm)	936642 1/2"(12.7mm)
931543 3/4"(19.05mm)	932543 3/4"(19.05mm)	937643 3/4"(19.05mm)	936643 3/4"(19.05mm)
931544 1"(25.4mm)	932544 1"(25.4mm)	937644 1"(25.4mm)	936644 1"(25.4mm)
931545 1-1/4"(31.75mm)	932545 1-1/4"(31.75mm)	937645 1-1/4"(31.75mm)	936645 1-1/4"(31.75mm)
931546 1-1/2"(38.1mm)	932546 1-1/2"(38.1mm)	937646 1-1/2"(38.1mm)	936646 1-1/2"(38.1mm)
931548 2"(50.8mm)	932548 2"(50.8mm)	937648 2"(50.8mm)	936648 2"(50.8mm)

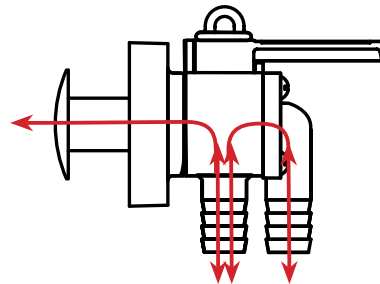


Mushroom Thru-Hull Size	Flush Thru-Hull Size	Mushroom Screened Thru-Hull Size	Flush Screened Thru-Hull Size
931532 1/2"(12.7mm)	932532 1/2"(12.7mm)	937632 1/2"(12.7mm)	936632 1/2"(12.7mm)
931533 3/4"(19.05mm)	932533 3/4"(19.05mm)	937633 3/4"(19.05mm)	936633 3/4"(19.05mm)
931534 1"(25.4mm)	932534 1"(25.4mm)	937634 1"(25.4mm)	936634 1"(25.4mm)
931535 1-1/4"(31.75mm)	932535 1-1/4"(31.75mm)	937635 1-1/4"(31.75mm)	936635 1-1/4"(31.75mm)
931536 1-1/2"(38.1mm)	932536 1-1/2"(38.1mm)	937636 1-1/2"(38.1mm)	936636 1-1/2"(38.1mm)
931538 2"(50.8mm)	932538 2"(50.8mm)	937638 2"(50.8mm)	936638 2"(50.8mm)

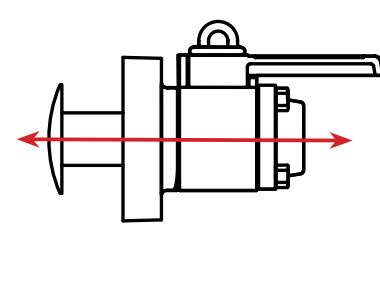
**NEW**

Extra-long buttress thread thru-hulls now available for all Pro Series valves

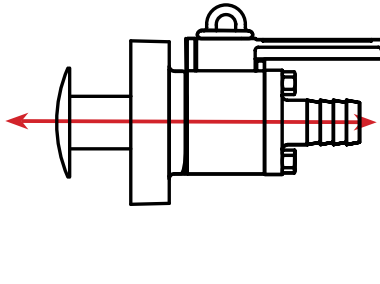
Arrows Indicate Water Flow Direction



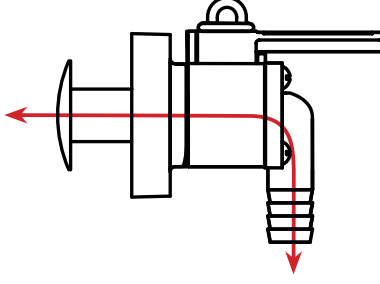
Mushroom Thru-Hull Size	Flush Thru-Hull Size	Mushroom Screened Thru-Hull Size	Flush Screened Thru-Hull Size
931552 1/2"(12.7mm)	932552 1/2"(12.7mm)	937652 1/2"(12.7mm)	936652 1/2"(12.7mm)
931553 3/4"(19.05mm)	932553 3/4"(19.05mm)	937653 3/4"(19.05mm)	936653 3/4"(19.05mm)
931554 1"(25.4mm)	932554 1"(25.4mm)	937654 1"(25.4mm)	936654 1"(25.4mm)
931555 1-1/4"(31.75mm)	932555 1-1/4"(31.75mm)	937655 1-1/4"(31.75mm)	936655 1-1/4"(31.75mm)
931556 1-1/2"(38.1mm)	932556 1-1/2"(38.1mm)	937656 1-1/2"(38.1mm)	936656 1-1/2"(38.1mm)
931558 2"(50.8mm)	932558 2"(50.8mm)	937658 2"(50.8mm)	936658 2"(50.8mm)



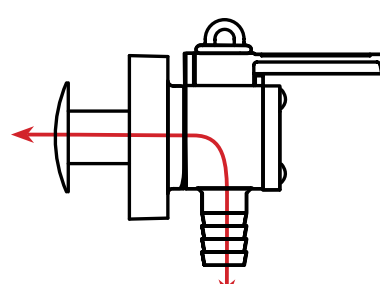
Mushroom Thru-Hull Size	Flush Thru-Hull Size	Mushroom Screened Thru-Hull Size	Flush Screened Thru-Hull Size
931132 1/2"(12.7mm)	932132 1/2"(12.7mm)	937332 1/2"(12.7mm)	936332 1/2"(12.7mm)
931133 3/4"(19.05mm)	932133 3/4"(19.05mm)	937333 3/4"(19.05mm)	936333 3/4"(19.05mm)
931134 1"(25.4mm)	932134 1"(25.4mm)	937334 1"(25.4mm)	936334 1"(25.4mm)
931135 1-1/4"(31.75mm)	932135 1-1/4"(31.75mm)	937335 1-1/4"(31.75mm)	936335 1-1/4"(31.75mm)
931136 1-1/2"(38.1mm)	932136 1-1/2"(38.1mm)	937336 1-1/2"(38.1mm)	936336 1-1/2"(38.1mm)
931138 2"(50.8mm)	932138 2"(50.8mm)	937338 2"(50.8mm)	936338 2"(50.8mm)



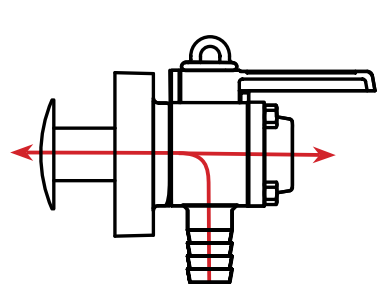
Mushroom Thru-Hull Size	Flush Thru-Hull Size	Mushroom Screened Thru-Hull Size	Flush Screened Thru-Hull Size
931142 1/2"(12.7mm)	932142 1/2"(12.7mm)	937342 1/2"(12.7mm)	936342 1/2"(12.7mm)
931143 3/4"(19.05mm)	932143 3/4"(19.05mm)	937343 3/4"(19.05mm)	936343 3/4"(19.05mm)
931144 1"(25.4mm)	932144 1"(25.4mm)	937344 1"(25.4mm)	936344 1"(25.4mm)
931145 1-1/4"(31.75mm)	932145 1-1/4"(31.75mm)	937345 1-1/4"(31.75mm)	936345 1-1/4"(31.75mm)
931146 1-1/2"(38.1mm)	932146 1-1/2"(38.1mm)	937346 1-1/2"(38.1mm)	936346 1-1/2"(38.1mm)
931148 2"(50.8mm)	932148 2"(50.8mm)	937348 2"(50.8mm)	936348 2"(50.8mm)



Mushroom Thru-Hull Size	Flush Thru-Hull Size	Mushroom Screened Thru-Hull Size	Flush Screened Thru-Hull Size
931152 1/2"(12.7mm)	932152 1/2"(12.7mm)	937352 1/2"(12.7mm)	936352 1/2"(12.7mm)
931153 3/4"(19.05mm)	932153 3/4"(19.05mm)	937353 3/4"(19.05mm)	936353 3/4"(19.05mm)
931154 1"(25.4mm)	932154 1"(25.4mm)	937354 1"(25.4mm)	936354 1"(25.4mm)
931155 1-1/4"(31.75mm)	932155 1-1/4"(31.75mm)	937355 1-1/4"(31.75mm)	936355 1-1/4"(31.75mm)
931156 1-1/2"(38.1mm)	932156 1-1/2"(38.1mm)	937356 1-1/2"(38.1mm)	936356 1-1/2"(38.1mm)
931158 2"(50.8mm)	932158 2"(50.8mm)	937358 2"(50.8mm)	936358 2"(50.8mm)



Mushroom Thru-Hull Size	Flush Thru-Hull Size	Mushroom Screened Thru-Hull Size	Flush Screened Thru-Hull Size
931262 1/2"(12.7mm)	932262 1/2"(12.7mm)	937462 1/2"(12.7mm)	936462 1/2"(12.7mm)
931263 3/4"(19.05mm)	932263 3/4"(19.05mm)	937463 3/4"(19.05mm)	936463 3/4"(19.05mm)
931264 1"(25.4mm)	932264 1"(25.4mm)	937464 1"(25.4mm)	936464 1"(25.4mm)
931265 1-1/4"(31.75mm)	932265 1-1/4"(31.75mm)	937465 1-1/4"(31.75mm)	936465 1-1/4"(31.75mm)
931266 1-1/2"(38.1mm)	932266 1-1/2"(38.1mm)	937466 1-1/2"(38.1mm)	936466 1-1/2"(38.1mm)
931268 2"(50.8mm)	932268 2"(50.8mm)	937468 2"(50.8mm)	936468 2"(50.8mm)



Mushroom Thru-Hull Size	Flush Thru-Hull Size	Mushroom Screened Thru-Hull Size	Flush Screened Thru-Hull Size
931232 1/2"(12.7mm)	932232 1/2"(12.7mm)	937432 1/2"(12.7mm)	936432 1/2"(12.7mm)
931233 3/4"(19.05mm)	932233 3/4"(19.05mm)	937433 3/4"(19.05mm)	936433 3/4"(19.05mm)
931234 1"(25.4mm)	932234 1"(25.4mm)	937434 1"(25.4mm)	936434 1"(25.4mm)
931235 1-1/4"(31.75mm)	932235 1-1/4"(31.75mm)	937435 1-1/4"(31.75mm)	936435 1-1/4"(31.75mm)
931236 1-1/2"(38.1mm)	932236 1-1/2"(38.1mm)	937436 1-1/2"(38.1mm)	936436 1-1/2"(38.1mm)
931238 2"(50.8mm)	932238 2"(50.8mm)	937438 2"(50.8mm)	936438 2"(50.8mm)



# Pro Series® Valve Options



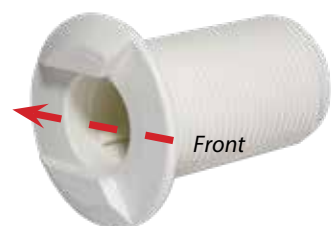
## Pro Series Engine Flush Out Valve

Engines running in salt or brackish water need to be flushed with fresh water after use to prevent costly corrosion during Winter or off-season storage. Our Pro Series Engine Flush Out valve is designed as a quick and easy way to do this with a single valve installation. This Seacock/Y-Valve configuration includes a brass garden hose connection to facilitate regular fresh water engine flushing. Valve includes a thru-hull that must be used to ensure a proper seal.

Hose Barb Diameter	Mushroom Part No	Mushroom Screened Part No
1"	931274	937474
1-1/4"	931275	937475
1-1/2"	931276	937476
2"	931278	937478

## Anti-Venturi Thru-Hull

Forespar offers our Pro Series valves with Anti-Venturi thru hulls for installations where steady, controlled water flow is needed on high-speed boats. These custom thru hulls were tested on boats at varying speeds and turn rates up to 45 mph. On a 3/4" generator intake line with this thru-hull fitted, 0" to ~5" of vacuum was noted. This did not present a pressure situation which could potentially push water past the vanes of an older impeller and flood the cylinders or starve it of cooling water. The unique notch and lowered ramp in the leading edge (photo-front) provides a force-feed effect. To keep this force from overwhelming equipment impellers, the exit slot allows water flow to exit at a controlled rate. Just add a 'V' to the end of your Pro Series valve part number to specify this option for your part.



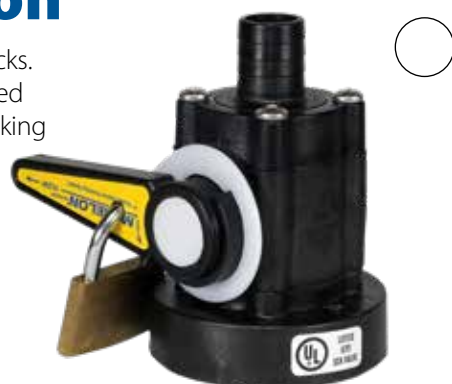
Arrow Indicates Water Flow Direction

## Pro Series™ Locking Handle Option

Forespar offers an optional locking plate installed at the factory on any Pro Series Seacocks. These locking plates allow the handle to be set in the closed position and a pad-lock used to positively lock the valve closed. This feature will satisfy the USCG requirements for locking overboard discharged head system seacocks in the closed, no discharge position.

Part No	Description
930136	Optional handle lock for 1"(25.4mm) & 1-1/4"(31.75mm)
930137	Optional handle lock for 1-1/2"(38.1mm) & 2"(50.8mm)

**Note:** - Forespar does not supply the padlock. Valve locks are not sold separately and are not a retrofit item.



## Seacock, Thru-Hull & Connector Retail Pack

### Package Helps Eliminate Cross-Threading Errors

For Marelton retailers, we now offer 6 common Pro Series valve sizes in a retail bag package for peg-hook display. This integrated 4-part system comes complete with valve, 90° hose barb connector, straight hose barb connector and a properly matched mushroom head thru-hull with "buttress" type threading. This package is designed to eliminate common valve and thru-hull thread style mismatches associated with after market installations. Comes standard with buttress threaded thru hull.

Part No	Description	Hose Barb OD	Thru-Hull OD
904042ABYC	Valve Replacement Kit	1/2" 13mm	1-1/4" 32mm
904043ABYC	Valve Replacement Kit	3/4" 19mm	1-1/4" 32mm
904044ABYC	Valve Replacement Kit	1" 25mm	1-3/4" 44mm
904045ABYC	Valve Replacement Kit	1-1/4" 32mm	1-3/4" 44mm
904046ABYC	Valve Replacement Kit	1-1/2" 38mm	2-1/4" 57mm
904048ABYC	Valve Replacement Kit	2" 51mm	2-1/4" 57mm



Complete Retrofit Retail Valve Kit

# Other Marelton Valve Options

## Y-Valves

Forespar® Y-Valves and Connectors are molded from Marelton®. Offering an improved, stronger handle design, our valves are available in 1"(25.4mm) and 1-1/2"(38.1mm) barb size. Y-Valves are an essential piece of equipment when the flow of water or other fluids are required to be conveniently diverted, as in a marine head application where a holding tank is utilized. They are easily mounted to a bulkhead. The valves are operated by a simple 120° movement. Positive stops are provided between positions. Replacement parts are available.



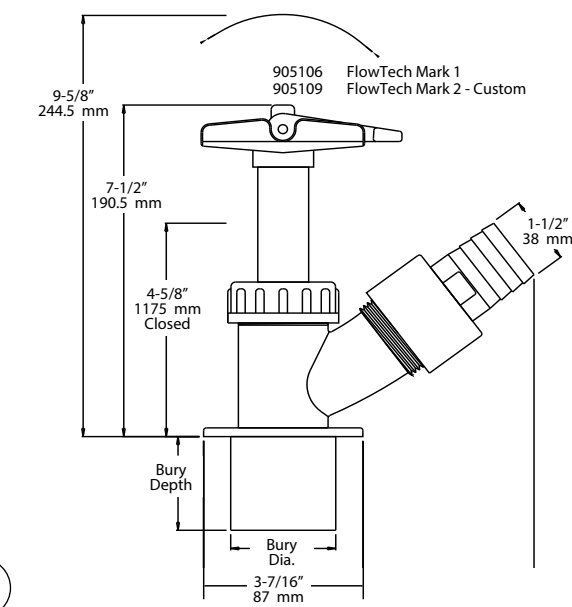
'Y' VALVES		
Part No.	Model No.	Barb Size
902000	MF 852	1-1/2"(38.1mm)
902001	MF 853	1"(25.4mm)
902006	Y Valve Parts Kit	(fits 1" & 1-1/2")
902017	MF 854	3/4"(19.05mm)
902018	MF 855	1-1/8"(28.57mm)

**!** Y-valves should not be installed below the waterline. Our Pro Series Y-Valve seacocks are ideal for this.

## Flowtech™ Racing Valve

### The Racer's Choice for Flush Surface Valves

Flowtech™ free-flow sea valves incorporate the valve body, thru-hull and the choice of all three sizes of hose pipe connections all in one set. These high performance valves are available for 3/4"(19.05mm), 1"(25.14mm) & 1-1/2"(38.1mm) hose sizes. The Flowtech™ valve pipe can be faired smooth to the boat's outer skin so that when the valve is closed, the internal plunger and valve pipe creates a flush, fair & fast outer surface. Made of Marelton®. The Mark II valve features a longer and wider threaded base than the Mark I, see dimensions below.



Description	P/N	Wt
Flowtech™ Valve Mark I	905106	1.502 oz
Flowtech™ Valve Mark II	905109	1.702 oz
Flowtech™ Mark I Repair Kit	905107	
Flowtech™ Mark II Repair Kit	905112	

Bury Info	Depth	Dia.
Flowtech™ Valve Mark I	1-3/8" (35mm)	1-7/8" (47.6mm)
Flowtech™ Valve Mark II	2-1/16" (52mm)	2-1/4" (57mm)

**!** Forespar Valve Components Are Not Compatible With Any Other Manufacturer's Product

# Marelon® 850/849 Series Valves

Our tried and true 850/849 series line of valves are available in sizes from 1/2" to 2", and are designed as a direct replacement for in-line bronze valves. These simple and rugged valves can accept a variety of attachments and are available in the traditional 3-bolt flanged seacock style. They offer less flexibility and repairability than our Pro Series line, but can serve as an economical alternative when a simple, rugged valve is ideal for your installation.

## 849 Flange Mounted Seacocks

Forespar's Flange Mounted Seacocks made with Marelon® offer superior strength and corrosion resistance compared to conventional bronze type valves. Strong, lightweight, corrosion and electrolysis free, they make the ideal thru-hull valve.

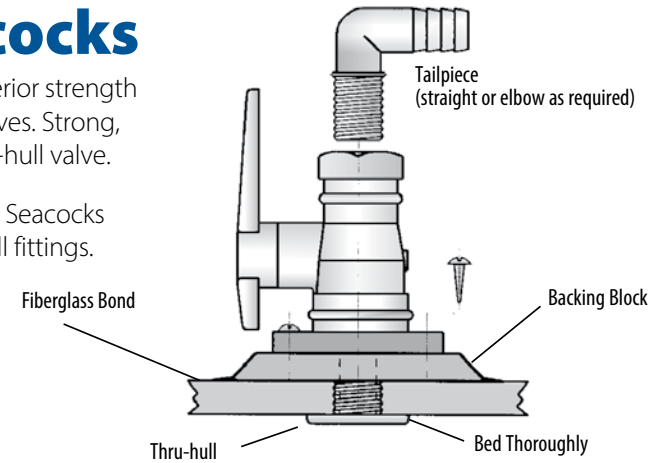
Available in most common sizes and thread configurations, Marelon Seacocks can be used as replacement valves for most existing marine thru-hull fittings.



MF 849



Part No.	Model No.	Thread Size	Height	Height w/Handle	Base
904009	MF 849 1/2"	1/2"(12.7mm)	3"(76.2mm)	4"(101.6mm)	3"(76.2mm)
904010	MF 849 3/4"	3/4"(19.05mm)	3"(76.2mm)	4"(101.6mm)	3"(76.2mm)
904011	MF 849 1-1/2"	1-1/2"(38.1mm)	5"(127mm)	8"(203.2mm)	6"(152.4mm)



## 850 Ball Valves

Forespar's MF 850 series of Ball Valves are precision molded in high strength Marelon®. Their great strength, light weight, and complete freedom from corrosion and electrolysis make them the ideal valve for controlling inlet and outlet water requirements above and below the waterline.

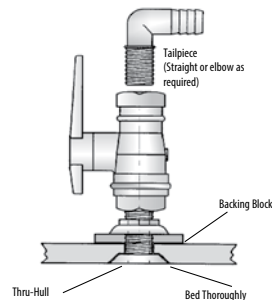
Our engineers opened and closed one of our 3/4"(19.05mm) valves 11,000 times, then submerged it in water with an air line pressurized to 40 p.s.i. connected to it. The result was an absolutely leak free condition with no evidence of internal seal wear. Valves sold throughout the U.S.A. have parallel marine type threads. If specified, B.S.P. are available outside of America.



MF 850



Part No.	Model No.	Thread Size	Body Dia.	Body Length	Length w/Handle
905100	MF 850 1/2"	1/2"(12.7mm)	1-7/8"(47.62mm)	3"(76.2mm)	4"(101.6mm)
905101	MF 850 3/4"	3/4"(19.05mm)	1-7/8"(47.62mm)	3"(76.2mm)	4"(101.6mm)
905102	MF 850 1"	1"(25.4mm)	2-3/4"(69.85mm)	4-3/4"(120.65mm)	5-1/2"(139.7mm)
905103	MF 850 1"-1/4"	1-1/4"(31.75mm)	2-3/4"(69.85mm)	4-7/8"(123.82mm)	5-3/4"(146.05mm)
905104	MF 850 1"-1/2"	1-1/2"(38.1mm)	3-1/2"(88.9mm)	5"(127mm)	7-1/2"(190.5mm)
905105	MF 850 2"	2"(50.8mm)	4-1/4"(107.95mm)	5-7/8"(149.22mm)	8"(203.2mm)



**TECH TIPS**

### Valves Are A Maintenance Item

Our valves will never corrode, but like any moving part in a marine environment, they require regular inspection and lubrication. Encourage your customers to regularly actuate the handle and lubricate the seals.

For proper and easy valve lubrication, we recommend our MareLube Reach valve lubrication kit. It allows your customers to inject the correct lubrication directly onto the valve's moving parts using a pre-loaded syringe and extension tube. Water pump grease or mineral oil can also be used if necessary.

MareLube REACH Kit - 770049 - forespar.com



# Marelon® Thru-Hull Connectors

Forespar offers a full line of thru-hull connectors in both flush and mushroom headed varieties, with or without a screened intake. These lightweight, corrosion-free parts are crafted in our California factory from high-strength Marelon with NPSM threads and are suitable for above and below waterline use. They can be combined with an elbow connector from the following pages if a 90 degree intake is needed.

## 250 Series Flush Head Full NPSM Threaded

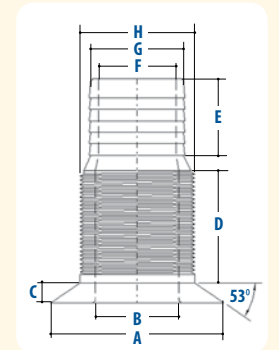


### Open Intake

Part #	Model	Thread Size	Length
906000	CF 250 1/2"	1/2" (12.7mm)	2" (50.8mm)
906002	CF 250 3/4"	3/4" (19.05mm)	2.25" (57.15mm)
906004	CF 250 1"	1" (25.4mm)	2.375" (60.32mm)
906006	CF 250 1-1/4"	1-1/4" (31.75mm)	3" (76.2mm)
906008	CF 250 1-1/2"	1-1/2" (38.1mm)	3" (76.2mm)

### Screened Intake

Part #	Model	Thread Size	Length
906001	CF 250S 1/2"	1/2" (12.7mm)	2" (50.8mm)
906003	CF 250S 3/4"	3/4" (19.05mm)	2.25" (57.15mm)
906005	CF 250S 1"	1" (25.4mm)	2.375" (60.32mm)
906007	CF 250S 1-1/4"	1-1/4" (31.75mm)	3" (76.2mm)
906009	CF 250S 1-1/2"	1-1/2" (38.1mm)	3" (76.2mm)



### CORRESPONDING DIMENSION FROM DRAWING

Size	A	B	C	D	E	F	G	H
1/2" (12.7mm)	2.375" (60.32mm)	0.430" (10.92mm)	0.335" (8.5mm)	2.000" (50.8mm)	N/A	N/A	N/A	0.810" (20.57mm)
3/4" (19.05mm)	2.430" (61.72mm)	0.665" (16.89mm)	0.320" (8.1mm)	2.250" (57.15mm)	N/A	N/A	N/A	1.015" (25.78mm)
1" (25.4mm)	2.835" (72mm)	0.875" (22.22mm)	0.320" (8.1mm)	2.375" (60.32mm)	N/A	N/A	N/A	1.285" (32.63mm)
1-1/4" (31.75mm)	2.820" (71.63mm)	1.115" (28.32mm)	0.325" (8.25mm)	3.000" (76.2mm)	N/A	N/A	N/A	1.635" (41.52mm)
1-1/2" (38.1mm)	2.562" (65.07mm)	1.380" (35.05mm)	0.320" (8.1mm)	3.000" (76.2mm)	N/A	N/A	N/A	1.850" (46.99mm)

## 251 Series Mushroom Head Full NPSM Threaded

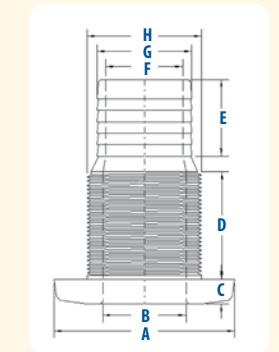


### Open Intake

Part #	Model	Thread Size	Length
906010	CF 251 1/2"	1/2" (12.7mm)	2" (50.8mm)
906012	CF 251 3/4"	3/4" (19.05mm)	2.25" (57.15mm)
906014	CF 251 1"	1" (25.4mm)	2.375" (60.32mm)
906016	CF 251 1-1/4"	1-1/4" (31.75mm)	3" (76.2mm)
906018	CF 251 1-1/2"	1-1/2" (38.1mm)	3" (76.2mm)
906020	CF 251 2"	2" (50.8mm)	3" (76.2mm)

### Screened Intake

Part #	Model	Thread Size	Length
906011	CF 251S 1/2"	1/2" (12.7mm)	2" (50.8mm)
906013	CF 251S 3/4"	3/4" (19.05mm)	2.25" (57.15mm)
906015	CF 251S 1"	1" (25.4mm)	2.375" (60.32mm)
906017	CF 251S 1-1/4"	1-1/4" (31.75mm)	3" (76.2mm)
906019	CF 251S 1-1/2"	1-1/2" (38.1mm)	3" (76.2mm)
906021	CF 251S 2"	2" (50.8mm)	3" (76.2mm)



### CORRESPONDING DIMENSION FROM DRAWING

Size	A	B	C	D	E	F	G	H
1/2" (12.7mm)	1.500" (38.1mm)	0.448" (11.37mm)	0.256" (6.5mm)	2.125" (53.97mm)	N/A	N/A	N/A	0.810" (20.57mm)
3/4" (19.05mm)	2.084" (52.93mm)	0.690" (17.52mm)	0.335" (8.5mm)	3.093" (78.56mm)	N/A	N/A	N/A	1.028" (26.11mm)
1" (25.4mm)	2.345" (59.56mm)	0.880" (22.35mm)	0.288" (7.31mm)	2.400" (60.96mm)	N/A	N/A	N/A	1.282" (32.56mm)
1-1/4" (31.75mm)	2.650" (67.31mm)	1.110" (28.19mm)	0.345" (8.76mm)	2.950" (74.93mm)	N/A	N/A	N/A	1.615" (41.02mm)
1-1/2" (38.1mm)	2.940" (74.67mm)	1.360" (34.54mm)	0.345" (8.76mm)	2.950" (74.93mm)	N/A	N/A	N/A	1.850" (46.99mm)

## 253 Series Mushroom Head NPSM to Hose Barb Tailpipe

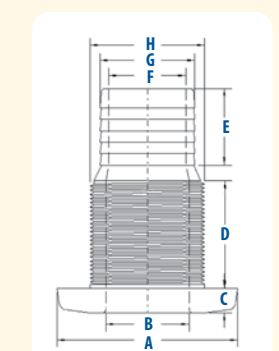


### Open Intake

Part #	Model	Hose
906022	CF 253 1/2"	1/2" - 5/8" (12.7 - 15.87mm)
906024	CF 253 3/4"	3/4" (19.05mm)
906026	CF 253 1"	1" (25.4mm)
906070	CF 253 1-1/8"	1-1/8" (28.57mm)
906028	CF 253 1-1/4"	1-1/4" (31.75mm)
906030	CF 253 1-1/2"	1-1/2" (38.1mm)
906032	CF 253 2"	2" (50.8mm)

### Screened Intake

Part #	Model	Hose
906023	CF 253S 1/2"	1/2" - 5/8" (12.7 - 15.87mm)
906025	CF 253S 3/4"	3/4" (19.05mm)
906027	CF 253S 1"	1" (25.4mm)
906071	CF 253S 1-1/8"	1-1/8" (28.57mm)
906029	CF 253S 1-1/4"	1-1/4" (31.75mm)
906031	CF 253S 1-1/2"	1-1/2" (38.1mm)
906033	CF 253S 2"	2" (50.8mm)



### CORRESPONDING DIMENSION FROM DRAWING

Size	A	B	C	D	E	F	G	H
1/2" (12.7mm)	1.506" (38.25mm)	0.505" (12.82mm)	0.265" (6.73mm)	1.490" (37.84mm)	0.975" (24.76mm)	0.439" (11.15mm)	0.657" (16.68mm)	0.812" (20.62mm)
3/4" (19.05mm)	2.100" (53.34mm)	0.670" (17.01mm)	0.325" (8.25mm)	1.677" (42.59mm)	1.028" (26.11mm)	0.535" (13.58mm)	0.770" (19.55mm)	1.015" (25.78mm)
1" (25.4mm)	2.350" (59.69mm)	0.958" (24.33mm)	0.295" (7.49mm)	1.695" (43.05mm)	1.085" (27.55mm)	0.797" (20.24mm)	1.015" (25.78mm)	1.280" (32.51mm)
1-1/4" (31.75mm)	2.675" (67.94mm)	1.194" (30.32mm)	0.327" (8.3mm)	1.818" (46.17mm)	1.280" (32.51mm)	1.021" (25.93mm)	1.273" (32.33mm)	1.615" (41.02mm)
1-1/2" (38.1mm)	2.933" (74.49mm)	1.350" (34.29mm)	0.345" (8.76mm)	1.875" (47.62mm)	1.280" (32.51mm)	1.258" (31.95mm)	1.530" (38.86mm)	1.850" (46.99mm)
2" (50.8mm)	3.511" (89.17mm)	1.842" (46.78mm)	0.375" (9.5mm)	1.875" (47.62mm)	1.350" (34.29mm)	1.610" (40.89mm)	2.018" (51.25mm)	2.320" (58.92mm)



# Marelon® Thru-Hulls (continued)

## 254 Series

Flush Head  
NPSM to Barb Tailpipe



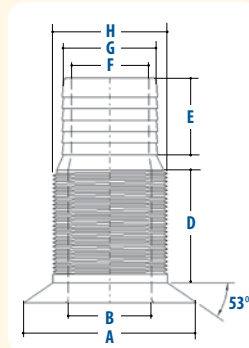
Open Intake

Part No.	Model No.	Thread Size & Hose I.D.	Thread Length
906038	CF 254 1-1/4	1-1/4"(31.75mm)	1-3/4"(44.45mm)
906036	CF 254 1-1/2	1-1/2"(38.1mm)	1-3/4"(44.45mm)
906034	CF 254 2	2"(50.8mm)	1-3/8"(34.92mm)
906039	CF 254 1-5/8	1-5/8"(41.27mm)	1-3/8"(34.92mm)

Screened Intake



Part No.	Model No.	Thread Size & Hose I.D.	Thread Length
906037	CF 254S 1-1/2	1-1/2"(38.1mm)	1-3/4"(44.45mm)
906035	CF 254S 2	2"(50.8mm)	1-3/8"(34.92mm)

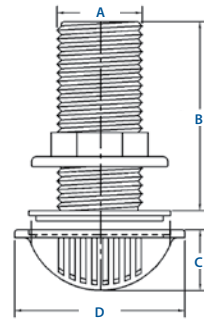


### CORRESPONDING DIMENSION FROM DRAWING

Size	A	B	C	D	E	F	G	H
1-1/4"(31.75mm)	2.805"(71.24mm)	1.164"(29.56mm)	0.316"(8.02mm)	1.500"(38.1mm)	1.280"(32.51mm)	0.945"(24mm)	1.260"(32mm)	1.615"(41.02mm)
1-1/2"(38.1mm)	2.805"(71.24mm)	1.406"(35.71mm)	0.316"(8.02mm)	1.500"(38.1mm)	1.280"(32.51mm)	1.115"(28.32mm)	1.475"(37.46mm)	1.850"(46.99mm)
2"(50.8mm)	3.525"(89.53mm)	1.672"(42.46mm)	0.325"(8.25mm)	1.500"(38.1mm)	1.300"(33.02mm)	1.480"(37.59mm)	2.018"(51.25mm)	2.320"(58.92mm)

## Scoop Strainers

These high-strength, high-speed strainers are also made of non-corrosive Marelon®. A two piece construction allows for easy installation. Available in 3/4"(19.05mm) and 1-1/4"(31.75mm) thread sizes.



Part No.	Model No.	Thread Size	A	B	C	D
906059	MF 867 3/4	3/4"(19.05mm)	1-1/32"(26.18mm)	2-1/4"(57.15mm)	1"(25.4mm)	3-1/8"(79.37mm)
906060	MF 868 1-1/4	1-1/4"(31.75mm)	1-5/8"(41.27mm)	2-15/16"(74.42mm)	1"(25.4mm)	3-3/8"(85.72mm)
906061	MF 865 3/4	scoop only			1"(25.4mm)	3-1/8"(79.37mm)
906062	MF 866 1-1/4	scoop only			1"(25.4mm)	3-3/8"(85.72mm)



Screens can be epoxied to the hull to eliminate additional holes in the gel-coat. Scoop screens can also be used over other thru-hulls (flush head styles are best) whenever a force feed is required.

## Speed Scoop

Forespar's new Speed Scoop is designed for higher velocity and volume applications. Intended for use in powerboats and speedboats of all types, the Speed Scoop maximizes water intake flow while minimizing drag and turbulence. Standard kit includes NPSM thru-hull. Large Speed Scoop Kit includes buttress thread thru-hull for use with Pro Series valves.

See page 6 for ordering. Use Modifier Code "Z."



Part No.	Model No.	Thread Size	A	B	C	D
906060SS	Speed Scoop Kit	1-1/4" (31.75mm)	3"(76.2mm)	2-15/16"(74.42mm)	1"(25.4mm)	3-3/8"(85.72mm)
906062SS	Speed Scoop Only	No thru-hull included			1"(25.4mm)	3-3/8"(85.72mm)
See Page 6	Large Speed Scoop Kit	2-1/8"(53.98mm)	2-15/16"(74.42mm)		1-3/8"(34.9mm)	2-1/2"(63.5mm)
906062SSL	Large Speed Scoop Only	No thru-hull included			1-3/8"(34.9mm)	2-1/2"(63.5mm)

See Scoop Strainer diagram above for dimension reference points



All Thru-Hull Connectors must be installed with proper bedding compound. We recommend a maximum torque setting of 20 lb/ft. for Series 250, Series 251 and Series 253 Thru-Hull Connectors.

# Marelon® Connectors

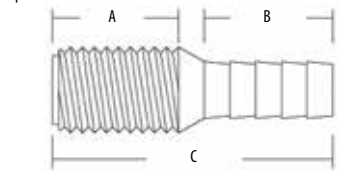
## NPSM Tailpipes / Hose Connectors

The perfect choice for joining hose lines to Forespar® Ball Valves and Seacocks, our tailpipes are made from high-strength glass-reinforced Marelon® using NPSM standard threads.



Available in Black or Clear View

Clear View Connectors Not For Use With Petroleum Products



Tapered NPT  
Threads Connectors

Part No.	Model No.	Thread Size	Tailpipe Dia.	A	B	C
905006	CF 252 1/2	1/2"(12.7mm)	5/8"(15.87mm)	1"(24.4mm)	1"(24.4mm)	2-1/4"(57.15mm)
905007	CF 252 3/4	3/4"(19.05mm)	3/4"(19.05mm)	1"(24.4mm)	1"(24.4mm)	2-3/8"(60.32mm)
905008	CF 252 1	1"(24.4mm)	1"(24.4mm)	1-1/2"(38.1mm)	1-1/16"(26.98mm)	2-7/8"(73.02mm)
905009	CF 252 1-1/4	1-1/4"(31.75mm)	1-1/4"(31.75mm)	1-5/8"(41.27mm)	1-1/4"(31.75mm)	3-1/4"(82.55mm)
905010	CF 252 1-1/2	1-1/2"(38.1mm)	1-7/16"(36.51mm)	1-7/16"(36.51mm)	1-1/8"(28.57mm)	2-5/8"(66.67mm)
905011	CF 252 2	2"(50.8mm)	2"(50.8mm)	1-11/16"(42.88mm)	1-1/4"(31.75mm)	3-1/4"(82.55mm)
905016	CF 252 1-1/8	1"(24.4mm)	1-1/8"(28.57mm)	1"(24.4mm)	1-1/16"(26.98mm)	2-7/8"(73.02mm)
905017	CF 252 1-1/2	1-1/2"(38.1mm)	1-1/4"(31.75mm)	1-7/16"(36.51mm)	1-1/4"(31.75mm)	2-5/8"(66.67mm)

Add a "C" after the above part numbers for CLEAR VIEW fittings

Part No.	Model No.	Thread For Size	Tube I.D.
910146	HC 4x4	1/4"(6.35mm)	1/4"(6.35mm)
910147	HC 4x5	1/4"(6.35mm)	5/16"(7.93mm)
910148	HC 4x6	1/4"(6.35mm)	3/8"(9.52mm)
910149	HC 4x8	1/4"(6.35mm)	1/2"(12.7mm)
910150	HC 6x6	3/8"(9.52mm)	3/8"(9.52mm)
910154	HC 6x8	3/8"(9.52mm)	1/2"(12.7mm)
910156	HC 8x8	1/2"(12.7mm)	1/2"(9.52mm)
910157	HC 8x12	1/2"(12.7mm)	3/4"(12.7mm)
910158	HC 12x8	3/4"(19.05mm)	1/2"(12.7mm)
910159	HC 12x12	3/4"(19.05mm)	3/4"(19.05mm)
910160	HC 12x16	3/4"(19.05mm)	1"(24.4mm)
910168	HC 20x24	1-1/4"(31.75mm)	1-1/2"(38.1mm)

## Female NPSM Threaded Barbed

Made of high strength glass-reinforced Marelon®.



Part No.	Model No.	Part No.	Model No.
901014	1/2"(12.7mm) FPT to 1/2"(12.7mm) HOSE BARB	905015	1-1/2"(38.1mm) FPT to 1-1/8"(28.57mm) HOSE BARB
901015	3/4"(19.05mm) FPT to 3/4"(19.05mm) HOSE BARB	905018	1-1/2"(38.1mm) FPT to 1-1/4"(30.4mm) HOSE BARB
905012	1-1/2"(38.1mm) FPT to 3/4"(19.05mm) HOSE BARB	905014	1-1/2"(38.1mm) FPT to 1-1/2"(38.1mm) HOSE BARB
905013	1-1/2"(38.1mm) FPT to 1"(24.4mm) HOSE BARB		

## Elbows

Molded from high-strength Marelon®. Dimension 'A' indicates pipe thread size.

### Male NPSM Thread/Barb

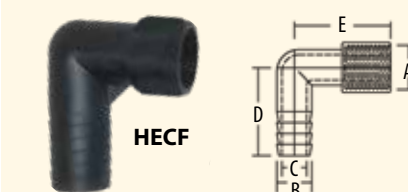


Available in Black or Clear View

Part No.	Model No.	A	B	C	D	E
901000	HECM 8	1/2"(12.7mm)	5/8"(15.87mm)	7/16"(11.11mm)	2"(50.8mm)	1-1/2"(38.1mm)
901001	HECM 12	3/4"(19.05mm)	3/4"(19.05mm)	1/2"(12.7mm)	2-1/8"(53.97mm)	1-5/8"(41.27mm)
901002	HECM 16	1"(24.4mm)	1"(24.4mm)	5/8"(15.87mm)	2-1/2"(63.5mm)	1-7/8"(47.62mm)
901003	HECM 20	1-1/4"(31.75mm)	1-1/4"(31.75mm)	7/8"(22.22mm)	2-3/4"(69.85mm)	2-5/16"(58.72mm)
901004	HECM 24	1-1/2"(38.1mm)	1-1/2"(38.1mm)	1-1/16"(26.98mm)	3-1/4"(82.55mm)	2-3/4"(69.85mm)
901005	HECM 32	2"(50.8mm)	2"(50.8mm)	1-1/2"(38.1mm)	3-5/8"(92.07mm)	3-1/4"(95.25mm)
901052	HECM 24/20	1-1/2"(38.1mm)	1-1/4"(31.75mm)	7/8"(22.22mm)	2-3/4"(69.85mm)	2-3/4"(69.85mm)
901053	HECM 16/16.125	1"(24.4mm)	1-1/8"(28.57mm)	29/32"(22.86mm)	2-1/2"(63.5mm)	1-7/8"(47.62mm)

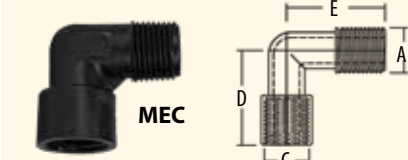
Add a "C" after the above part numbers for clear view fittings  
Clear view connectors not for use with petroleum products

### Female NPSM Thread/Barb



Part No.	Model No.	A	B	C	D	E
901006	HECF 8	1/2"(12.7mm)	5/8"(15.87mm)	7/16"(11.11mm)	2"(50.8mm)	1-5/8"(41.27mm)
901007	HECF 12	3/4"(19.05mm)	3/4"(19.05mm)	9/16"(14.28mm)	2-3/16"(55.56mm)	1-3/4"(44.45mm)
901008	HECF 16	1"(24.4mm)	1"(24.4mm)	5/8"(15.87mm)	2-1/2"(63.5mm)	1-7/8"(47.62mm)
901009	HECF 20	1-1/4"(31.75mm)	1-1/4"(31.75mm)	7/8"(22.22mm)	2-3/4"(69.85mm)	2-1/2"(63.5mm)
901010	HECF 24	1-1/2"(38.1mm)	1-1/2"(38.1mm)	1-1/8"(28.57mm)	3-1/8"(79.37mm)	2-3/4"(69.85mm)
901011	HECF 32	2"(50.8mm)	2"(50.8mm)	1-9/16"(39.68mm)	3-5/8"(92.07mm)	3-1/4"(82.55mm)

### Female/Male NPSM Thread



Part No.	Model No.	A	B	C	D	E
920207	MEC 8	1/2"(12.7mm)	NA	1/2"(12.7mm)	1-5/16"(33.33mm)	1-7/16"(36.57mm)
920336	MEC 12	3/4"(19.05mm)	NA	3/4"(19.05mm)	1-5/8"(41.27mm)	1-5/8"(41.27mm)

# Marelon® Connectors (continued)

## Vented Loops

Vented loops, or siphon break valves, are used to prevent water from dangerously siphoning into your boat amidst aggressive waves or maneuvering, or when the vessel is heavily loaded. The loop is placed between a water pump and any tank, head, engine, or other system in the boat. Water is allowed to pass through the valve unimpeded when forced through by pump, but if the boat leans and water begins to be sucked into the boat by siphoning pressure, the duckbill valve opens and allows air to briefly enter the line. This breaks the siphon pressure and prevents the risk of water intrusion and even sinking of the boat!

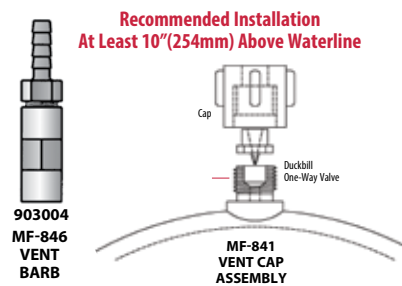
Forespar Vented Loops are sold in a variety of sizes and should be used with any tank or system where unwanted water intrusion must be prevented, especially with marine toilets. They are constructed from durable and corrosion resistant Marelon built to last a lifetime. The rubber duckbill vent should be inspected and cleaned regularly, and replacement parts are always available from Forespar. The vent barb option is also available to run an external tube, so that unwanted odors are not released in the cabin.

### Black Color Vented Loops

Part #	Model #	Barb Size	Height	Width
903000	MF 840	1-1/2"(38.1mm)	5-1/4"(133.35mm)	7-3/4"(196.85mm)
903001	MF 842	3/4"(19.05mm)	4-1/2"(114.3mm)	3-3/4"(95.25mm)
903002	MF 841	Vent Cap Assembly		
903003	MF-843	5/8"(15.87mm)	4-1/2"(114.3mm)	4"(101.6mm)
903004	MF-846	Vent Barb Assembly		
903007	MF-844	1"(25.4mm)	7"(177.8mm)	9"(228.6mm)
903008	MF-845	1/2"(12.7mm)	5-1/4"(133.35mm)	4-1/4"(107.95mm)
903018	MF-847	1-1/8"(28.57mm)	7"(177.8mm)	9"(228.6mm)
903011	MF-839	1-1/4"(28.57mm)	7"(177.8mm)	9"(228.6mm)

### White Color Vented Loops

Part #	Model #	Barb Size	Height	Width
903000W	MF 840	1-1/2"(38.1mm)	5-1/4"(133.35mm)	7-3/4"(196.85mm)
903001W	MF 842	3/4"(19.05mm)	4-1/2"(114.3mm)	3-3/4"(95.25mm)
903002W	MF 841	Vent Cap Assembly		
903007W	MF-844	1"(25.4mm)	7"(177.8mm)	9"(228.6mm)
903008W	MF-845	1/2"(12.7mm)	5-1/4"(133.35mm)	4-1/4"(107.95mm)
903011W	MF-839	1-1/4"(28.57mm)	7"(177.8mm)	9"(228.6mm)



## 'Y' Connectors

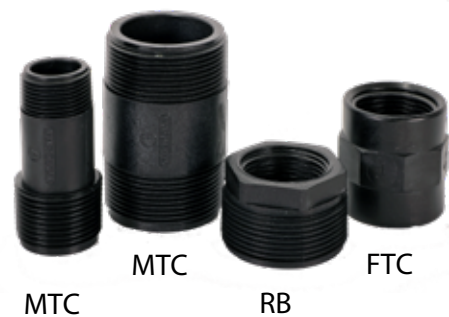
Our 'Y' Connectors can be used for connecting fluid lines. End plate may be removed for blockage relief etc. O-ring seal ensures leak free performance and is safe under pressure working conditions up to 40 psi. Available with or without mounting flange.

### 'Y' CONNECTORS

Part No.	Model No.	Flange	Barb Size
902002	HYCF 16	Yes	1"(25.4mm)
902003	HYC 16	No	1"(25.4mm)
902004	HYCF 24	Yes	1-1/2"(38.1mm)
902005	HYC 24	No	1-1/2"(38.1mm)



## Thread to Thread NPSM Reducers/Adapters



Part No.	Model No.	Thread Side A	Side B
901045	FTC 8	1/2"(12.7mm) female	1/2"(12.7mm) female
901046	FTC 12	3/4"(19.05mm) female	3/4"(19.05mm) female
901042	FTC 16	1"(25.14mm) female	1"(25.14mm) female
901044	FTC 20	1-1/4"(31.75mm) female	1-1/4"(31.75mm) female
901043	FTC 24	1-1/2"(38.1mm) female	1-1/2"(38.1mm) female
901040	MTC 12-8	3/4"(19.05mm)	1/2"(12.7mm) male
901050	MTC 12-12	3/4"(19.05mm)	3/4"(19.05mm) male
901051	MTC 16-12	1"(25.14mm)	3/4"(19.05mm) male
901047	MTC 24-16	1-1/2"(38.1mm)	1"(25.14mm) male
901048	MTC 24-20	1-1/2"(38.1mm)	1-1/4"(31.75mm) male
901049	MTC 24-24	1-1/2"(38.1mm)	1-1/2"(38.1mm) male
910062	RB 24-16	1-1/2"(38.1mm) male	1"(25.14mm) female
910063	RB 24-12	1-1/2"(38.1mm) male	3/4"(19.05mm) female

# Marelon® Water Strainers

## Titan T-Strainer

### Exclusive Design Provides Up To 25% Better Engine Cooling

We never stop innovating, that's why we're introducing our new Titan Strainer. Based on our popular T-150 Strainer, the new strainer uses the same space-saving T design, but incorporates a new internal flow pattern and strainer basket that significantly increases cooling water flow while reducing the number of clean-outs needed. It also has a new input in the top specifically for flushout and winterization. And just like our T-150 strainer, the tough polymer bowl is specifically formulated to prevent cracking and glazing from antifreeze.

- New Straight Flow Internal Design
- Integrated Top Mount Flush-Out Plug
- Large Stainless Steel Cut-Out Filter Screen
- Compact & Lightweight

Part No.	Model No./Description
906165	Titan T-Strainer With Mounting Bracket
920261	T-Strainer Clear Bowl
920262	T-Strainer Gasket
906187	T-Strainer Mounting Bracket
920264FO	Titan Strainer Mesh Screen #8



Molded From Chemical Resistant Resin

## T-150 Water Strainer

The Marelon T-150 Strainer provides compact raw water filtration without compromising filtration rates. It features a T-Head body design that allows the T-150 to be installed in tight or hard-to-reach locations. The clear chemical resistant polycarbonate filter bucket screws onto the Marelon housing and offers easy viewing of the stainless steel filter basket without removal. A flexible C-Clamp mounting bracket allows it to be snapped into place and rotated as needed to face any direction to fit tight spaces.

Part No.	Model No./Description
906166	T-150 Water Strainer
920261	T-150 Clear Bowl
920262	T-150 Gasket
920265	T-150 Mesh Screen #20 (Extra Fine)
920264	T-150 Mesh Screen #8 (Standard)
906187	T-150 Mounting Bracket



Molded From Chemical Resistant Resin

## Water Strainer

This Marelon water strainer features a new universal mounting bracket and clear polycarbonate lid for ready inspection. The stainless steel strainer basket can be easily removed for cleaning. Intake and exit ports are 1-1/2"(38.1mm) NPSM parallel threads standard. Reducers for 3/4"(19.05mm) I.D. hose are available separately. Diameter: 6.3"(160.02mm) Height: 6.1"(154.94mm). The flow rate is 40 GPM(151.41L/m) with 1-1/2"(38.1mm) ports.

The new mounting bracket allows the strainer exit port to be positioned in the proper direction by simply loosening the bracket clamp and rotating the entire housing. This will allow the OEM or aftermarket customer greater flexibility in installation.

Part No.	Model No./Description
906066	MF 810 Water Strainer
906067	MF 811 Gasket Set
906065	s/s Basket only
920178	Clear Cover only
906068	Knob Only



Molded From Chemical Resistant Resin



### All Water Strainers Must Be Installed Above the Waterline

Use 1-1/2" threaded adapters (page 16) for all strainers, or RB Reducers on page (page 17) for smaller hose sizes.



# Drains, Deck Fills, Sink Wastes & More

## Garboard Drains

For newer, thicker transoms, Forespar® designed a drain & plug assembly to fit up to 1-3/4"(44.45mm) thick transoms. Our Marelon® female 3/4"(19.05mm) elbows or female threaded barbed hose fitting (see page 40) can be screwed onto the end for hose attachment if needed. All Marelon® construction ensures years of corrosion free use.

### Garboard Drains

Part No.	Description
906081	Garboard Drain with Nut
906075	Socket Style Garboard Drain, Short
906076	Socket Style Garboard Drain, Long
906087	Long 1" Thru-Hull (1" threads, 4" long)

### Deck Drains

Part No.	Description
906091	Black 2" Diameter Deck Drain
906062	White 2" Diameter Deck Drain

- **GD-S #906075 (short)** Usable length with 5 threads engaged is 2-1/2" (63.5mm) maximum, 1-7/16" (36.51mm) minimum
- **GD-L #906076 (long)** Usable length with 5 threads engaged is 3-1/4" (82.55mm) maximum, 2-1/2" (63.5mm) minimum
- **Diameter of the flange (both ends) is 2" (50.8mm). Diameter of the body (female threaded unit) is 1-3/16" (30.16mm). (This is the diameter of the hole needed to install the unit through the transom)**
- **The screw style plug with gasket comes with it standard. Color of the Marelon material is white (like all our T-hulls)**



## Deck Fills

Molded in Marelon® for lifetime durability, Forespar® Deck fills are available in three color-coded models. Each clearly marked for use with either water or waste. Easy-open cap is fitted with nylon retainer cord and rubber 'O'-ring to ensure a safe and efficient seal. Suitable for 1-1/2"(38.1mm) I.D. hose.

Part No.	Model No.	For use with:
907003	MF 830 W	Water
907004	MF 830 WST	Waste

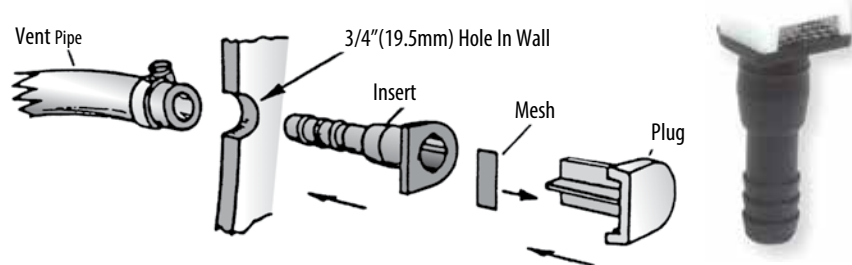
**Deck Flange is 4" (101.6mm) dia. Cutout: 2-1/8" (53.97mm)  
Hose Barb Length: 3" (76.2mm)**



## Tank Vent

A new idea in fuel tank vents. For hulls with solid cores only. Unit press-fits into 3/4"(19.5mm) hole without the need of a nut. The stainless steel screen will not corrode and has no plating to chip.

Part No.	Model No.
907029	MF 610



## Utility Drain D-1

Fully threaded acetal utility drain. Thread length: 1-3/8"(34.92mm) Thread size: 1"(25.14mm)



Part No.	Model No.
907028	D-1

## Drain Plug

Molded from Forespar's Marelon® and fitted with a neoprene seal; the Forespar Drain Plug is carefully designed to not deteriorate and crack with age.



Part No.	Model No.
907001	MF 790

## Sink Wastes

Available in straight and 90° configurations, these drains are designed for 1" and 3/4" tubing. Models SW-3, SW-4 and SW-6 are bright chrome plated, non-corrosive plastic.



Part No.	Model No.	Tail	Flange	Cut-Out	OD
907000	SW-1	Straight—For 1"(25.14mm) I.D.	1-3/4"(44.45mm)	1-5/16"(33.33mm)	2-7/16" x 2-7/16" x 1-5/8"
907014	SW-2	90°—For 1"(25.14mm) I.D.	1-3/4"(44.45mm)	1-5/16"(33.33mm)	3-3/16" x 2" x 2-1/2"
907015	SW-3	Straight—1-1/2"(38.11mm) screw	2-7/8"(73.02mm)	2"(50.8mm)	3" x 3" x 1-3/4"
907016		Replacement Sink Stopper			
907017	SW-4	90°—For 1"(25.14mm) I.D.	2-7/8"(73.02mm)	2"(50.8mm)	3-3/4" x 3" x 4-1/8"
907013	SW-5	(same as SW-1, for 3/4"(19.05mm) I.D.)	1-3/4"(44.45mm)	1-5/16"(33.33mm)	2-7/16" x 2-7/16" x 1-51/64"
907022	SW-6	Straight—For 1"(25.14mm) I.D.	2-7/8"(73.02mm)	2"(50.8mm)	3" x 3" x 3-1/8"
907027	SW-7	(same as SW-6, for 3/4"(19.05mm) I.D.)	2-7/8"(73.02mm)	2"(50.8mm)	3" x 3" x 3-5/16"

## Wide Mouth Drain

Forespar's new push-fit scupper drain is a versatile option for draining decks and transoms. At 3" wide by 1-1/4" high it allows a significant flow of water through, and its snap-together construction allows it to be used with hulls ranging in thickness from 2-1/4" to 3-3/4". It can even be used to prevent chafing where wires or hoses need to pass through a wall or bulkhead.

Part No.	Model No.	Size
907035	Wide Mouth Telescoping Drain Transom	1-1/4" H X 3" W




**NEW**

# Remote Operated Valves

## ROV Motors for Pro Series Valves

Marelon ROV motors offer the ultimate electronic control and are compatible with hundreds of ProSeries valves. Only available for OEM installation, these powerful motors are designed for boat builders wishing to offer their customers the convenience of electronically operating their seacocks without the need to reach into the bilge to open or close the valves when needed. Tested, certified and easy to install, they are a powerful option that help distinguish your boats from others.

 Available to qualified OEMs only

## ROV-3 Remote Valve Motor

### Compact ROV Motors for Pro Series Valves

Fully re-engineered for the new model year, our new ROV3 Remote Operated Valve motors are more powerful, compact and efficient. Thoroughly tested to stand up to years of usage in harsh conditions, they are easily integrated into any boat control system to allow for reliable electronic actuation of the hardest to reach valves. They can also be configured in a variety of wiring configurations, and paired with any of the thousands of available Pro Series valves.

- **Powerful Motor Outputs 250 Inch-Pounds of Torque**
- **Lighter Weight and More Compact for Tight Installations**
- **UL Approved, ISO Certified, ABYC Compliant**
- **Fully Waterproof, Ignition Safe, Meets Ip68 Standard**
- **12v Motor Draws Less Than 1 amp Under Load**
- **Simple Open/Closed Activation With 12v Signal Wire**
- **Easy Manual Override Using Included Snap-In-Place Wrench**

Part No.	Model
930632	Large ROV motor assembly for 1-1/2" to 2" Pro Series valves
930631	Medium ROV motor assembly for 1" to 1-1/4" Pro Series valves
930630	Small ROV motor assembly for 1/2" to 3/4" Pro Series valves

**ROV Motor Only - Use with Pro Series Valves**

## ROV-2 Two Wire Motor

### Switch Operated Valves Open & Close with Push of Button

Our original valve motor, the ROV2 features a powerful sealed motor specifically engineered to open or close the valve with a push of a button. Easy installation with only 2-wires to run.

- **Motor Activated, Push Button Control**
- **Switch Indicator Lights Confirm Valve Status**
- **UL Approved, ISO Certified, ABYC Compliant**
- **CE Certified, RoHS Compliant & Exceed EMC Motor Directives**
- **Exceeds ISO Water Intrusion & Explosion Hazard Standards**
- **Compatible with Both 12v and 24v Systems**

Part No.	Model
930247	Large ROV motor assembly for 1-1/2" to 2" ProSeries valves
930246	Medium ROV motor assembly for 1" to 1-1/4" ProSeries valves
930245	Small ROV motor assembly for 1/2" to 3/4" ProSeries valves

**ROV Motor Only - Use with Pro Series Valves**



# Advanced Marine Lubricants

## Specially Formulated Lubricants for Maximum Performance

In the harsh marine environment, proper lubrication is essential to keep things running smoothly. That's why we created three separate lubricants that have been specifically formulated for different uses. Designed to last, each provides the exact type of protection, adhesion and lubrication needed for the intended use.

### Select the Right Lubricant for Your Need

MareLube™	TEF45	LANOCOTE®
<b>Prevents Valves &amp; Seacocks from Seizing</b>	<b>Prevents Corrosion in Bi-Metal Applications</b>	<b>Prevents Corrosion, Galvanic Reactions &amp; Thread Freeze-up</b>
<ul style="list-style-type: none"> <li>• Use for regular maintenance lubrication on all Forespar composite valves, as well as metal valves</li> <li>• General purpose marine lubricant</li> <li>• Clear &amp; non-staining</li> <li>• Water resistant</li> <li>• Non-petroleum</li> <li>• Non-toxic</li> </ul>	<ul style="list-style-type: none"> <li>• Use on heavy load mechanical fixtures such as turnbuckles, spar fittings, motor lower units, and many more</li> <li>• Strongest Teflon product in the marine market</li> <li>• Large sizes available for OEM use</li> <li>• Highly water resistant</li> <li>• Non-petroleum</li> </ul>	<ul style="list-style-type: none"> <li>• Use on all marine electrical contacts and on contact points of dissimilar metals, and for coating and sealing metal and porous surfaces</li> <li>• Use on all screw threads to prevent locking due to corrosion</li> <li>• Highly tenacious - does not come off easily, especially in salt water</li> <li>• Non-petroleum</li> <li>• Non-toxic</li> </ul>

## Lanocote®

### The Rust & Corrosion Solution

LanoCote® works on these five basic principals: displaces water, absorbs corrosion, forms moisture barrier, penetrates and has high lubricity. LanoCote® prevents dissimilar metal galvanization. LanoCote® is extremely effective in preventing and stopping corrosion on all types of metals under all environmental conditions. Formulated to withstand salt water marine conditions, LanoCote® is particularly useful in preventing thread seizure due to all types of corrosion on boats and machinery.

Applied during assembly, LanoCote will greatly assist in easy dismantling years later. An example would be anchor shackles which are regularly immersed in salt water. LanoCote® also combats galvanization where dissimilar metals are fastened together, such as stainless steel fittings on alloy masts etc.

- **Prevents Thread Freeze-up**
- **Combats Galvanic Reaction of Dissimilar Metals**
- **Seals Porous Surfaces**
- **Neutralizes Acids, Alkalies & Salts**
- **Prevents Corrosion on Electronic Contacts**



**Original Formula - New Look!**

Part No.	Model
770001	LanoCote® 4 oz. Jar
770002	LanoCote® 7 oz. Aerosol Spray Can
770003	LanoCote® 16 oz. Jar
770007	LanoCote® 8 oz. Pump Spray Bottle
770035	LanoCote® 16oz. Prop & Bottom

**See more lubricants on the following page.**



# MareLube™ Marine Lubricants

## General Purpose & Heavy Load PTFE Lubricants

MareLube™ is Forespar's new family of three specifically formulated synthetic lubricants designed for various uses around your boat. Each contains PTFE and work equally well in fresh or salt water. The family includes MareLube™ TEF 45™ for heavy wet use locations, MareLube™ EXTRA for general purpose lubrication needs, and MareLube™ Valve for marine valves and plumbing systems.

- Long Lasting PTFE Synthetic Lubrication
- Safe on Rubber, Plastic and Painted Surfaces
- Works Equally Well in Fresh or Salt Water
- Formulated for Specific Uses for Maximum Effectiveness



## MareLube™

### Valve General Purpose Lubricant

MareLube Valve Lubricant is an advanced lubrication formula designed to keep valve seals and balls working smoothly in marine plumbing systems. It is a clear, non-staining and nontoxic lube that is perfect for traditional bronze fittings, as well as all composite plumbing fixtures like Forespar's Marelion® parts.

- General Purpose PTFE Synthetic Lubrication
- Clear, Non-Staining & Non-Toxic
- Compatible with Bronze or Marelion Components
- Keeps Seals & Balls Working Smoothly

Part No	Description
770050	4 oz MareLube Valve Lubricant
770055	Valve Lubricant Liquid - 16oz

## TEF45™

### Max PTFE Heavy Load Lubricant

TEF45™ is a highly water-resistant synthetic lubricant grease containing 45% PTFE. This is the highest percentage PTFE available, which makes TEF45™ perfect for heavy loads and bi-metal anti-corrosion applications like turnbuckles, spar fittings and motor lower units. TEF45™ also works well at protecting against rust corrosion and anti-seize applications.

- Max PTFE Heavy Load Formulation
- Highly Water Resistant
- Bi-metal Corrosion Protection
- Available in Large Quantities for OEM Use

Part No	Description
770067	TEF45 - 4 oz
770068	TEF45 - 16 oz
770170	TEF45 - 12 oz Caulk Tube
770171	TEF45 - 8 lbs Pail
770172	TEF45 - 40 lbs Bucket



Learn More  
[forespar.com/marelube](http://forespar.com/marelube)

# Marelion® Parts & Product Index

The following pages contain a listing of available Marelion products by type and part number, as well as a detailed description of each. Not all available parts are listed, so if you have any questions please feel free to call your rep with specific questions

## Adapters (Pages 17)

Part #	Description
901014	Hose Barb Tailpipe 1/2" to 1/2" Female Threads
901015	Hose Barb Tailpipe 3/4" to 3/4" Female Threads
901040	Reducer 3/4" to 1/2" Male Threads
901041	Coupler 2" Female to Female Threads
901042	Coupler 1" Female to Female Threads
901043	Coupler 1-1/2" Female to Female Threads
901044	Coupler 1-1/4" Female to Female Threads
901045	Coupler 1/2" Female to Female Threads
901046	Coupler 3/4" Female to Female Threads
901047	Reducer 1-1/2" to 1" Male Threads
901048	Reducer 1-1/2" to 1-1/4" Male Threads
901049	Coupler 1-1/2" to 1-1/2" Male to Male Threads
901050	Coupler 3/4" to 3/4" Male to Male Threads
901051	Reducer 1" to 3/4" Male Threads
902002	Y-Connector with Flange 1"
902003	Y-Connector without Flange 1"
902004	Y-Connector with Flange 1-1/2"
902005	Y-Connector without Flange 1-1/2"
910062	Reducing Bushing Male Thread 1-1/2" to Female Thread 1"
910063	Reducing Bushing Male Thread 1-1/2" to Female Thread 3/4"
910180	Reducing Bushing Male Thread 1-1/2" to Female Thread 3/4" BSP
920207	Male Elbow Connector to Female Hose Connector 1/2"
920336	Elbow 3/4" Female Threads to 3/4" Male Threads

## Boat Care Products (Not pictured in catalog)

### ReFresh

770062	ReFresh Concentrated 16 oz
770063	ReFresh Head & Tank 16 oz
770064	ReFresh 8 oz Spray Pump

### Tea Tree Power

770200	Tea Tree Power Gel 1/2 oz Sample
770201	Tea Tree Power Gel 2 oz Jar
770202	Tea Tree Power Gel 4 oz Jar
770203	Tea Tree Power Gel 8 oz Jar
770204	Tea Tree Power Gel 16 oz Jar
770205	Tea Tree Power Gel 22 oz Refill Pouch
770206	Tea Tree Power Gel 44 oz Refill Pouch
770207	Tea Tree Power 8 oz Spray Bottle
770208	Tea Tree Power Starter Kit with Product
770209	Tea Tree Power 2 oz Atomizer Pump
770260	Tea Tree Power 1-1/4 gal Pail
770261	Tea Tree Power 2-1/2 gal Pail
770271	Tea Tree Power 5cc Mini Mister Sample
770273	Tea Tree Power 16 oz Spray Bottle Refill

### Eco-Tank Pro

770350	ECO-TANK PRO 16 oz Jar
770350S	ECO-TANK PRO 2 oz Sample

## Deck Fills (Pages 19)

907003	Deck Fill Water
907004	Deck Fill Waste
907024	Deck Fill Cap Red Fuel
907025	Deck Fill Cap Blue Water
907026	Deck Fill Cap Black Waste

## Drains (Pages 19)

906075	Garboard Drain Short
906076	Garboard Drain Long
906081	Garboard Drain Thru-Hull Style
906085	1" Garboard Drain Thru-Hull Short

Part #	Description
906086	1" Garboard Drain Female Fitting
906087	1" Garboard Drain Thru-Hull Long
906088	1" Plug & Gasket Set for Short and Long Garboard Drain 906075 & 906076
906091	Garboard Drain 2" Black
906092	Garboard Drain 2" White
907000	Sink Drain 1"
907001	Drain Plug
907006	Outboard Well Drain 1-1/4" Flange
907013	Sink Drain 3/4"
907028	Utility Drain Fully Threaded 1"
907035	Wide Mouth Telescoping Drain 1-1/4"x3"
906085B	Garboard Drain Thru-Hull Only 1" Short Black
906086B	Garboard Drain Thru-Hull Only 1" Female Thread Black
906087B	Garboard Drain Thru-Hull Only 1" Long Black
906088B	1" Plug & Gasket Set for Short and Long Garboard Drain 906075 & 906076 Black

## Lubricants (Pages 22-23)

### Lanocote

770001	LANOCOTE 4 oz Jar
770002	LANOCOTE 7 oz Aerosol Can
770003	LANOCOTE 16 oz Jar
770007	LANOCOTE 8 oz Spray Bottle
770031	LANOCOTE PROP & BOTTOM 1 gal Pail
770035	LANOCOTE PROP & BOTTOM 16 oz Jar
770120	LANOCOTE 16 oz Spray Bottle

### MareLube

770049	MARELUBE Reach 30cc Lube Kit
770050	MARELUBE 4 oz Jar
770055	MARELUBE 16 oz Liquid
770056	MARELUBE Extra 4 oz Jar

### TEF 45

770065	TEF45 6cc Syringe
770066	TEF45 30cc Syringe
770067	TEF45 4 oz Jar
770068	TEF45 16 oz Jar
770069	TEF45 5 gal
770170	TEF45 12 oz Tube

## MF 849 Flange Mounted Seacocks (Page 13)

904009	849 Flange Mount Seacock 1/2" NPSM
904010	849 Flange Mount Seacock 3/4" NPSM
904011	849 Flange Mount Seacock 1-1/2" NPSM
904021	849 Flange Mount Seacock 1-1/2" BSP

## MF 850 Inline Ball Valves (Page 13)

901036	Inline Ball Valve 1" BSP
901037	Inline Ball Valve 1-1/4" BSP
901038	Inline Ball Valve 1-1/2" BSP
901039	Inline Ball Valve 2" BSP
905100	850 Inline Ball Valve 1/2" NPSM
905101	850 Inline Ball Valve 3/4" NPSM
905102	850 Inline Ball Valve 1" NPSM
905103	850 Inline Ball Valve 1-1/4" NPSM
905104	850 Inline Ball Valve 1-1/2" NPSM
905105	850 Inline Ball Valve 2" NPSM

## MF Series Y-Valves (Page 12)

902000	Y-Valve 1-1/2"
902001	Y-Valve 1"
902006	Y-Valve Repair Kit
902007	Y-Valve 3/4" Male Adapters NPSM
902010	Y-Valve 1-1/2" Male Thread NPSM
902017	Y-Valve, Directional, 3/4" Barbed Ends
902018	Y-Valve 1-1/8" New Slim Style Male Threads



Not all parts are pictured in this catalog

Parts Index Continued on Next Page



# Marelon Parts & Product Index

## Pro Series Valves

**For more customization options such as 1-1/8", chrome/stainless steel, BSP threads, locking options and more, refer to "Building Your Customized Valve" on pages 5-6 and use these part number modifiers.**

- N** Specifies an NPSM straight threaded base for seacock valves, allowing the valve to be installed on a standard thru hull. No thru hull will be included on a valve with this option.
- B** Specifies a BSP threaded base (1" to 2"). No thru-hull or handle plug is provided.
- C** Specifies a chromed mushroom head buttress thread thru-hull.
- L** The top elbow needs to face left. (From the point of view looking at the top of the valve, with the handle facing 'down'.)
- R** The top elbow needs to face right. (From the point of view looking at the top of the valve, with the handle facing 'down'.)
- E** Specifies the valve is to be used with an ROV electric valve. (OEM only)
- V** Specifies an anti-venturi style thru hull to be paired with the valve.
- K** Specifies a handle lock-off plate to satisfy USCG requirements, usable with standard padlocks. (Only available on 1" & 2" sizes)
- L** The top elbow needs to face left. (From the point of view looking at the top of the valve, with the handle facing 'down'.)
- Z** This represents the Large Speed Scoop included with the thru-hull, which can only be used with 931xx6 and 931xx8 valves

**Contact Forespar to confirm price and delivery dates. Minimum order quantities may apply.**

## Pro Series Repair Kits (Not pictured in catalog)

930401	MARELON Pro Series Valve O-Ring Repair Kit 1/2" to 3/4"
930402	MARELON Pro Series Valve O-Ring Repair Kit 1" to 1-1/4"
930403	MARELON Pro Series Valve O-Ring Repair Kit 1-1/2" to 2"

## Pro Series Seacock Retail Pack (Page 11)

904042ABYC	MARELON Retail Pack 1/2" Mushroom Thru-Hull Straight & 90°
904043ABYC	MARELON Retail Pack 3/4" Mushroom Thru-Hull Straight & 90°
904044ABYC	MARELON Retail Pack 1" Mushroom Thru-Hull Straight & 90°
904045ABYC	MARELON Retail Pack 1-1/4" Mushroom Thru-Hull Straight & 90°
904046ABYC	MARELON Retail Pack 1-1/2" Mushroom Thru-Hull Straight & 90°
904048ABYC	MARELON Retail Pack 2" Mushroom Thru-Hull Straight & 90°

## Pro Series Inline Ball Valves (Page 8)

933332	Pro Series 1/2" Valve Inline Fem. Thread Base / Fem. Thread Top
933333	Pro Series 3/4" Valve Inline Fem. Thread Base / Fem. Thread Top
933334	Pro Series 1" Valve Inline Fem. Thread Base / Fem. Thread Top
933335	Pro Series 1-1/4" Valve Inline Fem. Thread Base / Fem. Thread Top
933336	Pro Series 1-1/2" Valve Inline Fem. Thread Base / Fem. Thread Top
933338	Pro Series 2" Valve Inline Fem. Thread Base / Fem. Thread Top
933342	Pro Series 1/2" Valve Inline Fem. Thread Base / Straight Barb Top
933343	Pro Series 3/4" Valve Inline Fem. Thread Base / Straight Barb Top
933344	Pro Series 1" Valve Inline Fem. Thread Base / Straight Barb Top
933345	Pro Series 1-1/4" Valve Inline Fem. Thread Base / Straight Barb Top
933346	Pro Series 1-1/2" Valve Inline Fem. Thread Base / Straight Barb Top
933348	Pro Series 2" Valve Inline Fem. Thread Base / Straight Barb Top
933352	Pro Series 1/2" Valve Inline Fem. Thread Base / 90° Barb Top
933353	Pro Series 3/4" Valve Inline Fem. Thread Base / 90° Barb Top
933354	Pro Series 1" Valve Inline Fem. Thread Base / 90° Barb Top
933355	Pro Series 1-1/4" Valve Inline Fem. Thread Base / 90° Barb Top
933356	Pro Series 1-1/2" Valve Inline Fem. Thread Base / 90° Barb Top
933358	Pro Series 2" Valve Inline Fem. Thread Base / 90° Barb Top
934342	Pro Series 1/2" Valve Straight Barb Base / Straight Barb Top
934343	Pro Series 3/4" Valve Straight Barb Base / Straight Barb Top
934344	Pro Series 1" Valve Straight Barb Base / Straight Barb Top
934345	Pro Series 1-1/4" Valve Straight Barb Base / Straight Barb Top
934346	Pro Series 1-1/2" Valve Straight Barb Base / Straight Barb Top
934348	Pro Series 2" Valve Straight Barb Base / Straight Barb Top

## Pro Series Seacock (Page 9-10)

931132	Pro Series 1/2" Valve Seacock / Fem. Thread Top
931133	Pro Series 3/4" Valve Seacock / Fem. Thread Top
931134	Pro Series 1" Valve Seacock / Fem. Thread Top
931135	Pro Series 1-1/4" Valve Seacock / Fem. Thread Top
931136	Pro Series 1-1/2" Valve Seacock / Fem. Thread Top
931138	Pro Series 2" Valve Seacock / Fem. Thread Top
931142	Pro Series 1/2" Valve Seacock / Straight Barb Top
931143	Pro Series 3/4" Valve Seacock / Straight Barb Top
931144	Pro Series 1" Valve Seacock / Straight Barb Top
931145	Pro Series 1-1/4" Valve Seacock / Straight Barb Top
931146	Pro Series 1-1/2" Valve Seacock / Straight Barb Top
931148	Pro Series 2" Valve Seacock / Straight Barb Top
931152	Pro Series 1/2" Valve Seacock / 90° Barb Top
931153	Pro Series 3/4" Valve Seacock / 90° Barb Top
931154	Pro Series 1" Valve Seacock / 90° Barb Top
931155	Pro Series 1-1/4" Valve Seacock / 90° Barb Top
931156	Pro Series 1-1/2" Valve Seacock / 90° Barb Top
931158	Pro Series 2" Valve Seacock / 90° Barb Top
931342	Pro Series 1/2" Valve Seacock / Straight Barb Top
931343	Pro Series 3/4" Valve Seacock / Straight Barb Top
931344	Pro Series 1" Valve Seacock / Straight Barb Top
931345	Pro Series 1-1/4" Valve Seacock / Straight Barb Top
931346	Pro Series 1-1/2" Valve Seacock / Straight Barb Top
931348	Pro Series 2" Valve Seacock / Straight Barb Top
932132	Pro Series 1/2" Valve Seacock - Flush Thru-Hull / Fem. Thread Top
932133	Pro Series 3/4" Valve Seacock - Flush Thru-Hull / Fem. Thread Top
932134	Pro Series 1" Valve Seacock - Flush Thru-Hull / Fem. Thread Top
932135	Pro Series 1-1/4" Valve Seacock - Flush Thru-Hull / Fem. Thread Top
932136	Pro Series 1-1/2" Valve Seacock - Flush Thru-Hull / Fem. Thread Top
932138	Pro Series 2" Valve Seacock - Flush Thru-Hull / Fem. Thread Top
932142	Pro Series 1/2" Valve Seacock - Flush Thru-Hull / Straight Barb Top
932143	Pro Series 3/4" Valve Seacock - Flush Thru-Hull / Straight Barb Top
932144	Pro Series 1" Valve Seacock - Flush Thru-Hull / Straight Barb Top
932145	Pro Series 1-1/4" Valve Seacock - Flush Thru-Hull / Straight Barb Top
932146	Pro Series 1-1/2" Valve Seacock - Flush Thru-Hull / Straight Barb Top
932148	Pro Series 2" Valve Seacock - Flush Thru-Hull / Straight Barb Top
932152	Pro Series 1/2" Valve Seacock - Flush Thru-Hull / 90° Barb Top
932153	Pro Series 3/4" Valve Seacock - Flush Thru-Hull / 90° Barb Top
932154	Pro Series 1" Valve Seacock - Flush Thru-Hull / 90° Barb Top
932155	Pro Series 1-1/4" Valve Seacock - Flush Thru-Hull / 90° Barb Top
932156	Pro Series 1-1/2" Valve Seacock - Flush Thru-Hull / 90° Barb Top
932158	Pro Series 2" Valve Seacock - Flush Thru-Hull / 90° Barb Top
936332	Pro Series 1/2" Valve Seacock - Flush, Screened Thru-Hull / Fem. Thread Top
936333	Pro Series 3/4" Valve Seacock - Flush, Screened Thru-Hull / Fem. Thread Top
936334	Pro Series 1" Valve Seacock - Flush, Screened Thru-Hull / Fem. Thread Top
936335	Pro Series 1-1/4" Valve Seacock - Flush, Screened Thru-Hull / Fem. Thread Top
936336	Pro Series 1-1/2" Valve Seacock - Flush, Screened Thru-Hull / Fem. Thread Top
936338	Pro Series 2" Valve Seacock - Flush, Screened Thru-Hull / Fem. Thread Top
936342	Pro Series 1/2" Valve Seacock - Flush, Screened Thru-Hull / Straight Barb Top
936343	Pro Series 3/4" Valve Seacock - Flush, Screened Thru-Hull / Straight Barb Top
936344	Pro Series 1" Valve Seacock - Flush, Screened Thru-Hull / Straight Barb Top
936345	Pro Series 1-1/4" Valve Seacock - Flush, Screened Thru-Hull / Straight Barb Top
936346	Pro Series 1-1/2" Valve Seacock - Flush, Screened Thru-Hull / Straight Barb Top
936348	Pro Series 2" Valve Seacock - Flush, Screened Thru-Hull / Straight Barb Top
936352	Pro Series 1/2" Valve Seacock - Flush, Screened Thru-Hull / 90° Barb Top
936353	Pro Series 3/4" Valve Seacock - Flush, Screened Thru-Hull / 90° Barb Top
936354	Pro Series 1" Valve Seacock - Flush, Screened Thru-Hull / 90° Barb Top
936355	Pro Series 1-1/4" Valve Seacock - Flush, Screened Thru-Hull / 90° Barb Top
936356	Pro Series 1-1/2" Valve Seacock - Flush, Screened Thru-Hull / 90° Barb Top
936358	Pro Series 2" Valve Seacock - Flush, Screened Thru-Hull / 90° Barb Top
937332	Pro Series 1/2" Valve Seacock - Screened Thru-Hull / Fem. Thread Top
937333	Pro Series 3/4" Valve Seacock - Screened Thru-Hull / Fem. Thread Top
937334	Pro Series 1" Valve Seacock - Screened Thru-Hull / Fem. Thread Top
937336	Pro Series 1-1/2" Valve Seacock - Screened Thru-Hull / Fem. Thread Top
937338	Pro Series 2" Valve Seacock - Screened Thru-Hull / Fem. Thread Top
937342	Pro Series 1/2" Valve Seacock - Screened Thru-Hull / Straight Barb Top
937343	Pro Series 3/4" Valve Seacock - Screened Thru-Hull / Straight Barb Top
937344	Pro Series 1" Valve Seacock - Screened Thru-Hull / Straight Barb Top
937345	Pro Series 1-1/4" Valve Seacock - Screened Thru-Hull / Straight Barb Top
937346	Pro Series 1-1/2" Valve Seacock - Screened Thru-Hull / Straight Barb Top
937348	Pro Series 2" Valve Seacock - Screened Thru-Hull / Straight Barb Top

Part #	Description
937352	Pro Series 1/2" Valve Seacock - Screened Thru-Hull / 90° Barb Top
937353	Pro Series 3/4" Valve Seacock - Screened Thru-Hull / 90° Barb Top
937354	Pro Series 1" Valve Seacock - Screened Thru-Hull / 90° Barb Top
937355	Pro Series 1-1/4" Valve Seacock - Screened Thru-Hull / 90° Barb Top
937356	Pro Series 1-1/2" Valve Seacock - Screened Thru-Hull / 90° Barb Top
937358	Pro Series 2" Valve Seacock - Screened Thru-Hull / 90° Barb Top
937353	Pro Series 3/4" Valve Seacock - Screened Thru-Hull / 90° Barb Top
939132	Pro Series 1/2" Valve Seacock - Extra-Long TH with Fem. Thread Top
939133	Pro Series 3/4" Valve Seacock - Extra-Long TH with Fem. Thread Top
939134	Pro Series 1" Valve Seacock - Extra-Long TH with Fem. Thread Top
939135	Pro Series 1-1/4" Valve Seacock - Extra-Long TH with Fem. Thread Top
939136	Pro Series 1-1/2" Valve Seacock - Extra-Long TH with Fem. Thread Top
939138	Pro Series 2" Valve Seacock - Extra-Long TH with Fem. Thread Top
939142	Pro Series 1/2" Valve Seacock - Extra-Long TH with Straight Barb Top
939143	Pro Series 3/4" Valve Seacock - Extra-Long TH with Straight Barb Top
939144	Pro Series 1" Valve Seacock - Extra-Long TH with Straight Barb Top
939145	Pro Series 1-1/4" Valve Seacock - Extra-Long TH with Straight Barb Top
939146	Pro Series 1-1/2" Valve Seacock - Extra-Long TH with Straight Barb Top
939148	Pro Series 2" Valve Seacock - Extra-Long TH with Straight Barb Top
939152	Pro Series 1/2" Valve Seacock - Extra-Long TH with 90° Barb Top
939153	Pro Series 3/4" Valve Seacock - Extra-Long TH with 90° Barb Top
939154	Pro Series 1" Valve Seacock - Extra-Long TH with 90° Barb Top
939155	Pro Series 1-1/4" Valve Seacock - Extra-Long TH with 90° Barb Top
939156	Pro Series 1-1/2" Valve Seacock - Extra-Long TH with 90° Barb Top
939158	Pro Series 2" Valve Seacock - Extra-Long TH with 90° Barb Top

## Pro Series Dual Drain (Page 9-10)

931532	Pro Series 1/2" Dual Drain Seacock / Fem. Thread Top
931533	Pro Series 3/4" Dual Drain Seacock / Fem. Thread Top
931534	Pro Series 1" Dual Drain Seacock / Fem. Thread Top
931535	Pro Series 1-1/4" Dual Drain Seacock / Fem. Thread Top
931536	Pro Series 1-1/2" Dual Drain Seacock / Fem. Thread Top
931538	Pro Series 2" Dual Drain Seacock / Fem. Thread Top
931542	Pro Series 1/2" Dual Drain Seacock / Straight Barb Top
931543	Pro Series 3/4" Dual Drain Seacock / Straight Barb Top
931544	Pro Series 1" Dual Drain Seacock / Straight Barb Top
931545	Pro Series 1-1/4" Dual Drain Seacock / Straight Barb Top
931546	Pro Series 1-1/2" Dual Drain Seacock / Straight Barb Top
931548	Pro Series 2" Dual Drain Seacock / Straight Barb Top
931552	Pro Series 1/2" Dual Drain Seacock / 90° Barb Top
931553	Pro Series 3/4" Dual Drain Seacock / 90° Barb Top
931554	Pro Series 1" Dual Drain Seacock / 90° Barb Top
931555	Pro Series 1-1/4" Dual Drain Seacock / 90° Barb Top
931556	Pro Series 1-1/2" Dual Drain Seacock / 90° Barb Top
931558	Pro Series 2" Dual Drain Seacock / 90° Barb Top
931652	Pro Series 1/2" Dual Drain Seacock / 90° Barb Top
931653	Pro Series 3/4" Dual Drain Seacock / 90° Barb Top
931654	Pro Series 1" Dual Drain Seacock / 90° Barb Top
931655	Pro Series 1-1/4" Dual Drain Seacock / 90° Barb Top
931656	Pro Series 1-1/2" Dual Drain Seacock / 90° Barb Top
931658	Pro Series 2" Dual Drain Seacock / 90° Barb Top
932532	Pro Series 1/2" Dual Drain Seacock-Flush Thru-Hull / Fem. Thread Top
932533	Pro Series 3/4" Dual Drain Seacock-Flush Thru-Hull / Fem. Thread Top
932534	Pro Series 1" Dual Drain Seacock-Flush Thru-Hull / Fem. Thread Top
932536	Pro Series 1-1/2" Dual Drain Seacock-Flush Thru-Hull / Fem. Thread Top
932538	Pro Series 2" Dual Drain Seacock-Flush Thru-Hull / Fem. Thread Top
932542	Pro Series 1/2" Dual Drain Seacock-Flush Thru-Hull / Straight Barb Top
932543	Pro Series 3/4" Dual Drain Seacock-Flush Thru-Hull / Straight Barb Top
932544	Pro Series 1" Dual Drain Seacock-Flush Thru-Hull / Straight Barb Top
932545	Pro Series 1-1/4" Dual Drain Seacock-Flush Thru-Hull / Straight Barb Top
932546	Pro Series 1-1/2" Dual Drain Seacock-Flush Thru-Hull / Straight Barb Top
932548	Pro Series 2" Dual Drain Seacock-Flush Thru-Hull / Straight Barb Top
932552	Pro Series 1/2" Dual Drain Seacock-Flush Thru-Hull / 90° Barb Top
932553	Pro Series 3/4" Dual Drain Seacock-Flush Thru-Hull / 90° Barb Top
932554	Pro Series 1" Dual Drain Seacock-Flush Thru-Hull / 90° Barb Top
932555	Pro Series 1-1/4" Dual Drain Seacock-Flush Thru-Hull / 90° Barb Top
932556	Pro Series 1-1/2" Dual Drain Seacock-Flush Thru-Hull / 90° Barb Top
932558	Pro Series 2" Dual Drain Seacock-Flush Thru-Hull / 90° Barb Top
933642	Pro Series 1/2" Dual Drain Inline Fem. Thread Base / Straight Barb Top
933643	Pro Series 3/4" Dual Drain Inline Fem. Thread Base / Straight Barb Top
933644	Pro Series 1" Dual Drain Inline Fem. Thread Base / Straight Barb Top

Part #	Description
933645	Pro Series 1-1/4" Dual Drain Inline Fem. Thread Base / Straight Barb Top
933646	Pro Series 1-1/2" Dual Drain Inline Fem. Thread Base / Straight Barb Top
933648	Pro Series 2" Dual Drain Inline Fem. Thread Base / Straight Barb Top
936632	Pro Series 1/2" Dual Drain Seacock-Flush, Screened Thru-Hull / Fem. Thread Top
936633	Pro Series 3/4" Dual Drain Seacock-Flush, Screened Thru-Hull / Fem. Thread Top
936634	Pro Series 1" Dual Drain Seacock-Flush, Screened Thru-Hull / Fem. Thread Top
936635	Pro Series 1-1/4" Dual Drain Seacock-Flush, Screened Thru-Hull / Fem. Thread Top
936636	Pro Series 1-1/2" Dual Drain Seacock-Flush, Screened Thru-Hull / Fem. Thread Top
936638	Pro Series 2" Dual Drain Seacock-Flush, Screened Thru-Hull / Fem. Thread Top
936642	Pro Series 1/2" Dual Drain Seacock-Flush, Screened Thru-Hull / Straight Barb Top
936643	Pro Series 3/4" Dual Drain Seacock-Flush, Screened Thru-Hull / Straight Barb Top
936644	Pro Series 1" Dual Drain Seacock-Flush, Screened Thru-Hull / Straight Barb Top
936645	Pro Series 1-1/4" Dual Drain Seacock-Flush, Screened Thru-Hull / Straight Barb Top
936646	Pro Series 1-1/2" Dual Drain Seacock-Flush, Screened Thru-Hull / Straight Barb Top
936648	Pro Series 2" Dual Drain Seacock-Flush, Screened Thru-Hull / Straight Barb Top
936652	Pro Series 1/2" Dual Drain Seacock-Flush, Screened Thru-Hull / 90° Barb Top
936653	Pro Series 3/4" Dual Drain Seacock-Flush, Screened Thru-Hull / 90° Barb Top
936654	Pro Series 1" Dual Drain Seacock-Flush, Screened Thru-Hull / 90° Barb Top
936655	Pro Series 1-1/4" Dual Drain Seacock-Flush, Screened Thru-Hull / 90° Barb Top
936656	Pro Series 1-1/2" Dual Drain Seacock-Flush, Screened Thru-Hull / 90° Barb Top
936658	Pro Series 2" Dual Drain Seacock-Flush, Screened Thru-Hull / 90° Barb Top
937632	Pro Series 1/2" Dual Drain Seacock-Screened Thru-Hull / Fem. Thread Top
937633	Pro Series 3/4" Dual Drain Seacock-Screened Thru-Hull / Fem. Thread Top
937634	Pro Series 1" Dual Drain Seacock-Screened Thru-Hull / Fem. Thread Top
937635	Pro Series 1-1/4" Dual Drain Seacock-Screened Thru-Hull / Fem. Thread Top
937636	Pro Series 1-1/2" Dual Drain Seacock-Screened Thru-Hull / Fem. Thread Top
937638	Pro Series 2" Dual Drain Seacock-Screened Thru-Hull / Fem. Thread Top
937642	Pro Series 1/2" Dual Drain Seacock-Screened Thru-Hull / Straight Barb Top
937643	Pro Series 3/4" Dual Drain Seacock-Screened Thru-Hull / Straight Barb Top
937644	Pro Series 1" Dual Drain Seacock-Screened Thru-Hull / Straight Barb Top
937645	Pro Series 1-1/4" Dual Drain Seacock-Screened Thru-Hull / Straight Barb Top
937646	Pro Series 1-1/2" Dual Drain Seacock-Screened Thru-Hull / Straight Barb Top
937648	Pro Series 2" Dual Drain Seacock-Screened Thru-Hull / Straight Barb Top
937652	Pro Series 1/2" Dual Drain Seacock-Screened Thru-Hull / 90° Barb Top
937653	Pro Series 3/4" Dual Drain Seacock-Screened Thru-Hull / 90° Barb Top
937654	Pro Series 1" Dual Drain Seacock-Screened Thru-Hull / 90° Barb Top
937655	Pro Series 1-1/4" Dual Drain Seacock-Screened Thru-Hull / 90° Barb Top
937656	Pro Series 1-1/2" Dual Drain Seacock-Screened Thru-Hull / 90° Barb Top
937658	Pro Series 2" Dual Drain Seacock-Screened Thru-Hull / 90° Barb Top
939532	Pro Series 1/2" Dual Drain Seacock - Extra-Long TH with Fem. Thread Top
939533	Pro Series 3/4" Dual Drain Seacock - Extra-Long TH with Fem. Thread Top
939534	Pro Series 1" Dual Drain Seacock - Extra-Long TH with Fem. Thread Top
939535	Pro Series 1-1/4" Dual Drain Seacock - Extra-Long TH with Fem. Thread Top
939536	Pro Series 1-1/2" Dual Drain Seacock - Extra-Long TH with Fem. Thread Top
939538	Pro Series 2" Dual Drain Seacock - Extra-Long TH with Fem. Thread Top
939542	Pro Series 1/2" Dual Drain Seacock - Extra-Long TH with Straight Barb Top
939543	Pro Series 3/4" Dual Drain Seacock - Extra-Long TH with Straight Barb Top
939544	Pro Series 1" Dual Drain Seacock - Extra-Long TH with Straight Barb Top
939545	Pro Series 1-1/4" Dual Drain Seacock - Extra-Long TH with Straight Barb Top
939546	Pro Series 1-1/2" Dual Drain Seacock - Extra-Long TH with Straight Barb Top
939548	Pro Series 2" Dual Drain Seacock - Extra-Long TH with Straight Barb Top
939552	Pro Series 1/2" Dual Drain Seacock - Extra-Long TH with 90° Barb Top
939553	Pro Series 3/4" Dual Drain Seacock - Extra-Long TH with 90° Barb Top
939554	Pro Series 1" Dual Drain Seacock - Extra-Long TH with 90° Barb Top
939555	Pro Series 1-1/4" Dual Drain Seacock - Extra-Long TH with 90° Barb Top
939556	Pro Series 1-1/2" Dual Drain Seacock - Extra-Long TH with 90° Barb Top
939558	Pro Series 2" Dual Drain Seacock - Extra-Long TH with 90° Barb Top

## Pro Series Y-Valves (Page 9-10)

931232	Pro Series 1/2" Y-Valve Seacock / Fem. Thread Top
931233	Pro Series 3/4" Y-Valve Seacock / Fem. Thread Top
931234	Pro Series 1" Y-Valve Seacock / Fem. Thread Top
931235	Pro Series 1-1/4" Y-Valve Seacock / Fem. Thread Top
931236	Pro Series 1-1/2" Y-Valve Seacock / Fem. Thread Top
931238	Pro Series 2" Y-Valve Seacock / Fem. Thread Top
931242	Pro Series 1/2" Y-Valve Seacock / Straight Barb Top
931243	Pro Series 3/4" Y-Valve Seacock / Straight Barb Top
931244	Pro Series 1" Y-Valve Seacock / Straight Barb Top
931245	Pro Series 1-1/4" Y-Valve Seacock / Straight Barb Top
931246	Pro Series 1-1/2" Y-Valve Seacock / Straight Barb Top



# Marelon Parts & Product Index

## Pro Series Y-Valves (Page 9-10) - continued

931248	Pro Series 2" Y-Valve Seacock / Straight Barb Top
931252	Pro Series 1/2" Y-Valve Seacock / 90° Barb Top
931253	Pro Series 3/4" Y-Valve Seacock / 90° Barb Top
931254	Pro Series 1" Y-Valve Seacock / 90° Barb Top
931255	Pro Series 1-1/4" Y-Valve Seacock / 90° Barb Top
931256	Pro Series 1-1/2" Y-Valve Seacock / 90° Barb Top
931258	Pro Series 2" Y-Valve Seacock / 90° Barb Top
931262	Pro Series 1/2" Y-Valve Seacock - Space Saver
931263	Pro Series 3/4" Y-Valve Seacock - Space Saver
931264	Pro Series 1" Y-Valve Seacock - Space Saver
931265	Pro Series 1-1/4" Y-Valve Seacock - Space Saver
931266	Pro Series 1-1/2" Y-Valve Seacock - Space Saver
931268	Pro Series 2" Y-Valve Seacock - Space Saver
931272	Pro Series 1/2" Y-Valve Seacock / Fem. Garden Hose Top
931273	Pro Series 3/4" Y-Valve Seacock / Fem. Garden Hose Top
931274	Pro Series 1" Y-Valve Seacock / Fem. Garden Hose Top
931275	Pro Series 1-1/4" Y-Valve Seacock / Fem. Garden Hose Top
931276	Pro Series 1-1/2" Y-Valve Seacock / Fem. Garden Hose Top
931278	Pro Series 2" Y-Valve Seacock / Fem. Garden Hose Top
932232	Pro Series 1/2" Y-Valve Seacock - Flush Thru-Hull / Fem. Thread Top
932233	Pro Series 3/4" Y-Valve Seacock - Flush Thru-Hull / Fem. Thread Top
932234	Pro Series 1" Y-Valve Seacock - Flush Thru-Hull / Fem. Thread Top
932235	Pro Series 1-1/4" Y-Valve Seacock - Flush Thru-Hull / Fem. Thread Top
932236	Pro Series 1-1/2" Y-Valve Seacock - Flush Thru-Hull / Fem. Thread Top
932238	Pro Series 2" Y-Valve Seacock - Flush Thru-Hull / Fem. Thread Top
932242	Pro Series 1/2" Y-Valve Seacock - Flush Thru-Hull / Straight Barb Top
932243	Pro Series 3/4" Y-Valve Seacock - Flush Thru-Hull / Straight Barb Top
932244	Pro Series 1" Y-Valve Seacock - Flush Thru-Hull / Straight Barb Top
932245	Pro Series 1-1/4" Y-Valve Seacock - Flush Thru-Hull / Straight Barb Top
932246	Pro Series 1-1/2" Y-Valve Seacock - Flush Thru-Hull / Straight Barb Top
932248	Pro Series 2" Y-Valve Seacock - Flush Thru-Hull / Straight Barb Top
932252	Pro Series 1/2" Y-Valve Seacock - Flush Thru-Hull / 90° Barb Top
932253	Pro Series 3/4" Y-Valve Seacock - Flush Thru-Hull / 90° Barb Top
932254	Pro Series 1" Y-Valve Seacock - Flush Thru-Hull / 90° Barb Top
932255	Pro Series 1-1/4" Y-Valve Seacock - Flush Thru-Hull / 90° Barb Top
932256	Pro Series 1-1/2" Y-Valve Seacock - Flush Thru-Hull / 90° Barb Top
932258	Pro Series 2" Y-Valve Seacock - Flush Thru-Hull / 90° Barb Top
932262	Pro Series 1/2" Y-Valve Seacock - Flush Thru-Hull - Space Saver
932263	Pro Series 3/4" Y-Valve Seacock - Flush Thru-Hull - Space Saver
932264	Pro Series 1" Y-Valve Seacock - Flush Thru-Hull - Space Saver
932265	Pro Series 1-1/4" Y-Valve Seacock - Flush Thru-Hull - Space Saver
932266	Pro Series 1-1/2" Y-Valve Seacock - Flush Thru-Hull - Space Saver
932268	Pro Series 2" Y-Valve Seacock - Flush Thru-Hull - Space Saver
932272	Pro Series 1/2" Y-Valve Seacock - Flush Thru-Hull / Fem. Garden Hose Top
932273	Pro Series 3/4" Y-Valve Seacock - Flush Thru-Hull / Fem. Garden Hose Top
932274	Pro Series 1" Y-Valve Seacock - Flush Thru-Hull / Fem. Garden Hose Top
932275	Pro Series 1-1/4" Y-Valve Seacock - Flush Thru-Hull / Fem. Garden Hose Top
932276	Pro Series 1-1/2" Y-Valve Seacock - Flush Thru-Hull / Fem. Garden Hose Top
932278	Pro Series 2" Y-Valve Seacock - Flush Thru-Hull / Fem. Garden Hose Top
934442	Pro Series 1/2" Y-Valve Straight Barb Base / Straight Barb Top
934442	Pro Series 1/2" Y-Valve Straight Barb Base / Straight Barb Top
934443	Pro Series 3/4" Y-Valve Straight Barb Base / Straight Barb Top
934443	Pro Series 3/4" Y-Valve Straight Barb Base / Straight Barb Top
934444	Pro Series 1" Y-Valve Straight Barb Base / Straight Barb Top
934444	Pro Series 1" Y-Valve Straight Barb Base / Straight Barb Top
934445	Pro Series 1-1/4" Y-Valve Straight Barb Base / Straight Barb Top
934445	Pro Series 1-1/4" Y-Valve Straight Barb Base / Straight Barb Top
934446	Pro Series 1-1/2" Y-Valve Straight Barb Base / Straight Barb Top
934446	Pro Series 1-1/2" Y-Valve Straight Barb Base / Straight Barb Top
934448	Pro Series 2" Y-Valve Straight Barb Base / Straight Barb Top
934448	Pro Series 2" Y-Valve Straight Barb Base / Straight Barb Top
934472	Pro Series 1/2" Y-Valve Straight Barb Base / Fem. Garden Hose Top
934473	Pro Series 3/4" Y-Valve Straight Barb Base / Fem. Garden Hose Top
934474	Pro Series 1" Y-Valve Straight Barb Base / Fem. Garden Hose Top
934475	Pro Series 1-1/4" Y-Valve Straight Barb Base / Fem. Garden Hose Top
934476	Pro Series 1-1/2" Y-Valve Straight Barb Base / Fem. Garden Hose Top
934478	Pro Series 2" Y-Valve Straight Barb Base / Fem. Garden Hose Top
936452	Pro Series 1/2" Y-Valve Seacock - Flush, Screened Thru-Hull / 90° Barb Top
936453	Pro Series 3/4" Y-Valve Seacock - Flush, Screened Thru-Hull / 90° Barb Top
936454	Pro Series 1" Y-Valve Seacock - Flush, Screened Thru-Hull / 90° Barb Top

Part #	Description
936455	Pro Series 1-1/4" Y-Valve Seacock - Flush, Screened Thru-Hull / 90° Barb Top
936456	Pro Series 1-1/2" Y-Valve Seacock - Flush, Screened Thru-Hull / 90° Barb Top
936458	Pro Series 2" Y-Valve Seacock - Flush, Screened Thru-Hull / 90° Barb Top
936462	Pro Series 1/2" Y-Valve Seacock - Flush, Screened Thru-Hull - Space Saver
936463	Pro Series 3/4" Y-Valve Seacock - Flush, Screened Thru-Hull - Space Saver
936464	Pro Series 1" Y-Valve Seacock - Flush, Screened Thru-Hull - Space Saver
936465	Pro Series 1-1/4" Y-Valve Seacock - Flush, Screened Thru-Hull - Space Saver
936466	Pro Series 1-1/2" Y-Valve Seacock - Flush, Screened Thru-Hull - Space Saver
936468	Pro Series 2" Y-Valve Seacock - Flush, Screened Thru-Hull - Space Saver
937452	Pro Series 1/2" Y-Valve Seacock - Screened Thru-Hull / 90° Barb Top
937453	Pro Series 3/4" Y-Valve Seacock - Screened Thru-Hull / 90° Barb Top
937454	Pro Series 1" Y-Valve Seacock - Screened Thru-Hull / 90° Barb Top
937455	Pro Series 1-1/4" Y-Valve Seacock - Screened Thru-Hull / 90° Barb Top
937456	Pro Series 1-1/2" Y-Valve Seacock - Screened Thru-Hull / 90° Barb Top
937458	Pro Series 2" Y-Valve Seacock - Screened Thru-Hull / 90° Barb Top
937462	Pro Series 1/2" Y-Valve Seacock - Screened Thru-Hull - Space Saver
937463	Pro Series 3/4" Y-Valve Seacock - Screened Thru-Hull - Space Saver
937464	Pro Series 1" Y-Valve Seacock - Screened Thru-Hull - Space Saver
937465	Pro Series 1-1/4" Y-Valve Seacock - Screened Thru-Hull - Space Saver
937466	Pro Series 1-1/2" Y-Valve Seacock - Screened Thru-Hull - Space Saver
937468	Pro Series 2" Y-Valve Seacock - Screened Thru-Hull - Space Saver
937472	Pro Series 1/2" Y-Valve Seacock - Screened Thru-Hull / Fem. Garden Hose Top
937473	Pro Series 3/4" Y-Valve Seacock - Screened Thru-Hull / Fem. Garden Hose Top
937474	Pro Series 1" Y-Valve Seacock - Screened Thru-Hull / Fem. Garden Hose Top
937475	Pro Series 1-1/4" Y-Valve Seacock - Screened Thru-Hull / Fem. Garden Hose Top
937476	Pro Series 1-1/2" Y-Valve Seacock - Screened Thru-Hull / Fem. Garden Hose Top
937478	Pro Series 2" Y-Valve Seacock - Screened Thru-Hull / Fem. Garden Hose Top
939232	Pro Series 1/2" Y-Valve Seacock - Extra-Long TH with Fem. Thread Top
939233	Pro Series 3/4" Y-Valve Seacock - Extra-Long TH with Fem. Thread Top
939234	Pro Series 1" Y-Valve Seacock - Extra-Long TH with Fem. Thread Top
939235	Pro Series 1-1/4" Y-Valve Seacock - Extra-Long TH with Fem. Thread Top
939236	Pro Series 1-1/2" Y-Valve Seacock - Extra-Long TH with Fem. Thread Top
939238	Pro Series 2" Y-Valve Seacock - Extra-Long TH with Fem. Thread Top
939242	Pro Series 1/2" Y-Valve Seacock - Extra-Long TH with Straight Barb Top
939243	Pro Series 3/4" Y-Valve Seacock - Extra-Long TH with Straight Barb Top
939244	Pro Series 1" Y-Valve Seacock - Extra-Long TH with Straight Barb Top
939245	Pro Series 1-1/4" Y-Valve Seacock - Extra-Long TH with Straight Barb Top
939246	Pro Series 1-1/2" Y-Valve Seacock - Extra-Long TH with Straight Barb Top
939248	Pro Series 2" Y-Valve Seacock - Extra-Long TH with Straight Barb Top
939252	Pro Series 1/2" Y-Valve Seacock - Extra-Long TH with 90° Barb Top
939253	Pro Series 3/4" Y-Valve Seacock - Extra-Long TH with 90° Barb Top
939254	Pro Series 1" Y-Valve Seacock - Extra-Long TH with 90° Barb Top
939255	Pro Series 1-1/4" Y-Valve Seacock - Extra-Long TH with 90° Barb Top
939256	Pro Series 1-1/2" Y-Valve Seacock - Extra-Long TH with 90° Barb Top
939258	Pro Series 2" Y-Valve Seacock - Extra-Long TH with 90° Barb Top

## ROV Remote Operated Valves (Page 21)

930245	ROV Motor and Switch Assembly 1/2" to 3/4"
930246	ROV Motor and Switch Assembly 1" to 1-1/4"
930247	ROV Motor and Switch Assembly 1-1/2" to 2"
930630	Small ROV Motor Assembly for 1/2" to 3/4" Pro Series Valves
930631	Medium ROV Motor Assembly for 1" to 1-1/4" Pro Series Valves
930632	Large ROV Motor Assembly for 1-1/2" to 2" Pro Series Valves

## Scoop Strainers (Page 15)

906059	Thru-Hull 3/4" Threaded with Scoop
906060	Thru-Hull 1-1/4" Threaded with Scoop
906061	Scoop Strainer Only 3/4"
906062	Scoop Strainer Only 1-1/4"
906060SS	Speed Scoop Kit with 1-1/4" Thru-Hull
906062SS	Speed Scoop Strainer Only 1-1/4"
906062SSL	Large Speed Scoop Only

## Signage (Not pictured in catalog)

920509	MARELON Store Sign/Chart
930410	MARELON Pro Series Build-Your-Own Valve Brochure
770248A	Tea Tree Power Sign Card 1-Product
770248B	PerformanceCare+ Flyer 4-Product
770248C	PerformanceCare+ Card 4-Product

## Sink Wastes (Page 20)

907014	Sink Waste 90 Degree (for 1") Long
907015	Sink Waste 1-1/2"
907016	Sink Waste Plug Only
907017	Sink Waste 90 Degree (for 1") Short
907018	Sink Waste 1-1/2" with 1-1/2" Barb
907019	Sink Waste 1-1/2" with 1-1/8" Barb
907020	Sink Waste 1-1/2" with 1-1/2" Elbow
907022	Sink Waste Straight
907027	Sink Waste 3/4"
907030	Sink Waste Threaded Straight (for 1")
907032	Sink Waste 90 Degree (for 1-1/8")
907015W	Sink Waste 1-1/2" White
907017W	Sink Waste 90 Degree (for 1") Short White
907022W	Sink Waste Straight White
907027W	Sink Waste 3/4" White

## Tailpipes - Elbows (Pages 16)

901000	Elbow 1/2" Male Threads to 1/2" Barb
901001	Elbow 3/4" Male Threads to 3/4" Barb
901002	Elbow 1" Male Threads to 1" Barb
901003	Elbow 1-1/4" Male Threads to 1-1/4" Barb
901004	Elbow 1-1/2" Male Threads to 1-1/2" Barb
901005	Elbow 2" Male Threads to 2" Barb
901006	Tailpipe 1/2" Male Threads
901007	Tailpipe 3/4" Male Threads
901008	Elbow 1" Female Threads to 1" Barb
901009	Elbow 1-1/4" Female Threads to 1-1/4" Barb
901010	Elbow 1-1/2" Female Threads to 1-1/2" Barb
901011	Elbow 2" Female Threads to 2" Barb
901017	Elbow 1" Female Threads to 1" Barb BSP
901018	Elbow 1-1/4" Female Threads to 1-1/4" Barb BSP
901019	Elbow 1-1/2" Female Threads to 1-1/2" Barb BSP
901020	Elbow 2" Female Threads to 2" Barb BSP
901021	Elbow 1" Male Threads to 1" Barb BSP
901022	Elbow 1-1/4" Male Threads to 1-1/4" Barb BSP
901023	Elbow 1-1/2" Male Threads to 1-1/2" Barb BSP
901024	Elbow 2" Male Threads to 2" Barb BSP
901052	Elbow 1-1/8" Male Threads to 1" Barb
901053	Elbow 1" Barb to 1-1/8" Connector Male Threads
901052C	Elbow Elbow 1-1/2" Male Threads to 1-1/4" Barb Clear
901053C	Elbow 1-1/8" Male Threads to 1" Barb Clear
901000C	Elbow 1/2" Male Threads to 1/2" Barb Clear
901001C	Elbow 3/4" Male Threads to 3/4" Barb Clear
901002C	Elbow 1" Male Threads to 1" Barb Clear
901003C	Elbow 1-1/4" Male Threads to 1-1/4" Barb Clear
901004C	Elbow 1-1/2" Male Threads to 1-1/2" Barb Clear
901005C	Elbow 2" Male Threads to 2" Barb Clear

## Tailpipes - Straight (Page 16)

901032	Tailpipe 1" Male Threads to 1" Barb BSP
901033	Tailpipe 1-1/4" Male Threads to 1-1/4" Barb BSP
901034	Tailpipe 1-1/2" Male Threads to 1-1/2" Barb BSP
901035	Tailpipe 2" Male Threads to 2" Barb BSP
905006	Tailpipe 1/2" Male Threads
905007	Tailpipe 3/4" Male Threads
905008	Tailpipe 1" Male Threads
905009	Tailpipe 1-1/4" Male Threads
905010	Tailpipe 1-1/2" Male Threads
905011	Tailpipe 2" Male Threads
905012	Tailpipe 1-1/2" Female Thread Hose Fitting to 3/4" Barb
905013	Tailpipe 1-1/2" Female Thread Hose Fitting to 1" Barb
905014	Tailpipe 1-1/2" Female Thread Hose Fitting to 1-1/2" Barb
905015	Tailpipe 1-1/2" Female Thread Hose Fitting to 1-1/8" Barb
905016	Tailpipe 1" Male Thread Hose Fitting to 1-1/8" Barb
905017	Tailpipe 1-1/2" Male Thread Hose Fitting to 1-1/4" Barb
905018	Tailpipe 1-1/2" Female Thread Hose Fitting to 1-1/4" Barb
910146	Tailpipe 1/4" NPT Male Thread to 1/4" Barb
910147	Tailpipe 5/16" NPT Male Thread to 1/4" Barb
910148	Tailpipe 3/8" NPT Male Thread to 1/4" Barb
910149	Tailpipe 1/2" NPT Male Thread to 1/4" Barb

## Part # Description

910150	Tailpipe 3/8" NPT Male Thread to 3/8" Barb
910154	Tailpipe 1/2" NPT Male Thread to 3/8" Barb
910156	Tailpipe 1/2" NPT Male Thread to 1/2" Barb
910157	Tailpipe 1/2" NPT Male Thread to 3/4" Barb
910158	Tailpipe 3/4" NPT Male Thread to 1/2" Barb
910159	Tailpipe 3/4" NPT Male Thread to 3/4" Barb
910160	Tailpipe 1" NPT Male Thread to 3/4" Barb
910168	Tailpipe 1-1/2" NPT Male Thread to 1-1/4" Barb
905006C	Tailpipe 1/2" Male Threads to 5/8" Barb Clear
905007C	Tailpipe 3/4" Male Threads to 3/4" Barb Clear
905008C	Tailpipe 1" Male Threads Clear
905009C	Tailpipe 1-1/4" Male Threads Clear
905010C	Tailpipe 1-1/2" Male Threads Clear
905011C	Tailpipe 2" Male Threads Clear
905012W	Tailpipe 1-1/2" Female Thread Hose Fitting to 3/4" Barb White
905013W	Tailpipe 1-1/2" Female Thread Hose Fitting to 1" Barb White
905014W	Tailpipe 1-1/2" Female Thread Hose Fitting to 1-1/2" Barb White
905015W	Tailpipe 1-1/2" Female Thread Hose Fitting to 1-1/8" Barb White
905016C	Tailpipe 1" Male Thread Hose Fitting to 1-1/8" Barb Clear
905017C	Tailpipe 1-1/2" Male Thread Hose Fitting to 1-1/4" Barb Clear
905018W	Tailpipe 1-1/2" Male Thread Hose Fitting to 1-1/4" Barb White

## Thru-Hulls (Pages 14-15)

901025	Thru-Hull 1" Flush Head BSP
901026	Thru-Hull 1-1/2" Flush Head BSP
901027	Thru-Hull 1" Mushroom Head BSP
901028	Thru-Hull 1-1/4" Mushroom Head BSP
901029	Thru-Hull 1-1/2" Mushroom Head BSP
901030	Thru-Hull 2" Mushroom Head BSP
906000	Thru-Hull 1/2" Flush Head NPSM
906001	Thru-Hull 1/2" Flush Head NPSM Screened
906002	Thru-Hull 3/4" Flush Head NPSM
906003	Thru-Hull 3/4" Flush Head NPSM Screened
906004	Thru-Hull 1" Flush Head NPSM
906005	Thru-Hull 1" Flush Head NPSM Screened
906006	Thru-Hull 1-1/4" Flush Head NPSM
906007	Thru-Hull 1-1/4" Flush Head NPSM Screened
906008	Thru-Hull 1-1/2" Flush Head NPSM
906009	Thru-Hull 1-1/2" Flush Head NPSM Screened
906010	Thru-Hull 1/2" Mushroom Head NPSM
906011	Thru-Hull 1/2" Mushroom Head NPSM Screened
906012	Thru-Hull 3/4" Mushroom Head NPSM
906013	Thru-Hull 3/4" Mushroom Head NPSM Screened
906014	Thru-Hull 1" Mushroom Head NPSM
906015	Thru-Hull 1" Mushroom Head NPSM Screened
906016	Thru-Hull 1-1/4" Mushroom Head NPSM
906017	Thru-Hull 1-1/4" Mushroom Head NPSM Screened
906018	Thru-Hull 1-1/2" Mushroom Head NPSM
906019	Thru-Hull 1-1/2" Mushroom Head NPSM Screened
906020	Thru-Hull 2" Mushroom Head NPSM
906021	Thru-Hull 2" Mushroom Head NPSM Screened
906022	Thru-Hull 1/2" Hose Tailpipe Mushroom Head
906023	Thru-Hull 1/2" Hose Tailpipe Mushroom Head Screened
906024	Thru-Hull 3/4" Hose Tailpipe Mushroom Head
906025	Thru-Hull 3/4" Hose Tailpipe Mushroom Head Screened
906026	Thru-Hull 1" Hose Tailpipe Mushroom Head
906027	Thru-Hull 1" Hose Tailpipe Mushroom Head Screened
906028	Thru-Hull 1-1/4" Hose Tailpipe Mushroom Head
906029	Thru-Hull 1-1/4" Hose Tailpipe Mushroom Head Screened
906030	Thru-Hull 1-1/2" Hose Tailpipe Mushroom Head
906031	Thru-Hull 1-1/2" Hose Tailpipe Mushroom Head Screened
906032	Thru-Hull 2" Hose Tailpipe Mushroom Head
906033	Thru-Hull 2" Hose Tailpipe Mushroom Head Screened
906034	Thru-Hull 2" Hose Tailpipe Flush Head
906035	Thru-Hull 3/4" Hose Tailpipe Flush Head Screened
906036	Thru-Hull 1-1/2" Hose Tailpipe Flush Head
906037	Thru-Hull 1-1/4" Hose Tailpipe Flush Head Screened
906038	Thru-Hull 1-1/4" Hose Tailpipe Flush Head
906039	Thru-Hull 1-5/8" Hose Tailpipe Flush Head
906070	Thru-Hull 1-1/8" Hose Tailpipe Mushroom Head

# Marelon Parts & Product Index

## Thru-Hulls (Pages 14-15) - continued


906071	Thru-Hull 1-1/8" Hose Tailpipe Mushroom Head Screened
906084	Thru-Hull 1" Mushroom Head NPSM (4" Length)
907007	Thru-Hull Nut 1/2" NPSM
907008	Thru-Hull Nut 3/4" NPSM
907009	Thru-Hull Nut 1" NPSM
907010	Thru-Hull Nut 1-1/4" NPSM
907011	Thru-Hull Nut 1-1/2" NPSM
907012	Thru-Hull Nut 2" NPSM
920380	Thru-Hull Nut 1" BSP
920381	Thru-Hull Nut 1-1/4" BSP
920382	Thru-Hull Nut 1-1/2" BSP
920383	Thru-Hull Nut 2" BSP
930001	Thru-Hull Mushroom Head Buttress 1/2" & 3/4"
930002	Thru-Hull Mushroom Head Buttress 1" & 1-1/4"
930003	Thru-Hull Mushroom Head Buttress 1-1/2" & 2"
930004	Thru-Hull Flush Head Buttress 1/2" & 3/4"
930005	Thru-Hull Flush Head Buttress 1" & 1-1/4"
930006	Thru-Hull Flush Head Buttress 1" & 1-1/4"
930007	Thru-Hull 1/2" & 3/4" Mushroom Head Buttress Screened
930008	Thru-Hull 1" & 1-1/4" Mushroom Head Buttress Screened
930009	Thru-Hull 1-1/2" & 2" Mushroom Head Buttress Screened
930010	Thru-Hull 1/2" & 3/4" Flush Head Buttress Screened
930011	Thru-Hull 1" & 1-1/4" Flush Head Buttress Screened
930012	Thru-Hull 1-1/2" & 2" Flush Head Buttress Screened
930013	Thru-Hull 1-1/2" & 2" Flush Head Buttress Screened
930014	Thru-Hull Mushroom Head Buttress 1/2" & 3/4" Black
930134	Thru-Hull Wrench Flush & Screen Head
930135	Thru-Hull Wrench Mushroom Head
930161	Thru-Hull 1/2" & 3/4" Mushroom Head Buttress Chrome
930162	Thru-Hull 1" & 1-1/4" Mushroom Head Buttress Chrome
930163	Thru-Hull 1-1/2" & 2" Mushroom Head Buttress Chrome
930171	Thru-Hull 1/2" & 3/4" Mushroom Head Buttress Anti-Venturi
930272	Thru-Hull 1" & 1-1/4" Mushroom Head Buttress Anti-Venturi
930273	Thru-Hull 1-1/2" & 2" Mushroom Head Buttress Anti-Venturi
906084B	Thru-Hull 1" Mushroom Head NPSM (4" Length) Black

## Vented Loops (Page 17)

903000	Vented Loop 1-1/2"
903001	Vented Loop 3/4"
903002	Vented Loop Duck Bill/Cap Assembly
903003	Vented Loop 5/8"
903004	Vented Loop Vent Barb Assembly
903007	Vented Loop 1"
903008	Vented Loop 1/2"
903011	Vented Loop 1-1/2"
903013	Vented Loop Vent Barb Assembly 3/8" Barb
903017	Vented Loop 1" with 3/8" Barb
903018	Vented Loop 1-1/8"
903019	Vented Loop 1-1/2" Threaded
920132	Vented Loop Duck Bill Valve Only
903000W	Vented Loop 1-1/2" White
903001W	Vented Loop 3/4" White
903002W	Vented Loop Duck Bill/Cap Assembly White
903003W	Vented Loop 5/8" White
903007W	Vented Loop 1" White
903008W	Vented Loop 1/2" White
903011W	Vented Loop 1-1/4" White
903018W	Vented Loop 1-1/8" White

## Water Strainers (Page 18)

906065	MF 810 Water Strainer Basket Only
906066	MF 810 Water Strainer
906067	Gasket Set for MF 810 Water Strainer
906068	MF 810 Water Strainer BSP
906078	MF 810 Water Strainer Repair Kit
906165	TITAN Water T-Strainer 1-1/2"
906166	T-150 Water Strainer 1-1/2"
906187	T-Strainer Mounting Bracket Only
920178	MF 810 Water Strainer Cover Only
920179	MF 810 Water Strainer Knob Only
920180	MF 810 Water Strainer Housing Only
920187	MF 810 Water Strainer Mounting Bracket Only
920261	T-Strainer Bowl Only
920262	T-Strainer Gasket Only
920264	T-150 Water Strainer Screen Only #8 Mesh
906066S	MF 810 Water Strainer with 3/4" Adapters

 Not all parts are pictured in this catalog

**MARELON®**  
**Better Than Bronze**

**Used by Over 450  
Worldwide Boat Builders**



**NEW**  
Join Now

Ask About Our Exclusive

# MARELON® PARTNERS PROGRAM

Participating Boat Builders Can Offer a  
**25 Year Limited Warranty**  
On Installed Plumbing Parts

Exclusively for boat builders, Forespar provides a 25 Year Limited Warranty for all members of our Marelon® Partners Program. Just participate in the "Marelon Inside" signage/labeling program provided by Forespar to promote the fact that you use the best plumbing system in your boats. In exchange, Forespar will provide a 25 year limited warranty on Marelon® plumbing parts.

**Look Inside for**  
**MARELON®**  
**A Sign of Quality**  
*This boat contains Marelon Plumbing,  
built to last as long as your boat*

Example of a vinyl peel-off sticker that can be applied to your boats at your dealerships and boat shows to qualify for this extended warranty.

For information on how to qualify for the Marelon® Partners Program, contact: [Marelon@Forespar.com](mailto:Marelon@Forespar.com)



# MARELON<sup>®</sup>

#1 Trusted Marine Plumbing System



## Your Complete Marine Plumbing Parts Source

Seacocks  
Valves  
Thru-Hulls  
Strainers

Vented Loops  
Connectors  
Sink Wastes  
Deck Fills  
Drains & Drain Plugs



# FORESPAR<sup>®</sup>

22322 Gilberto, Rancho Santa Margarita, CA 92688 - USA  
Ph: 949.858.8820 • [www.forespar.com](http://www.forespar.com)

