



FORESPAR[®]
RACING

**MARINE PRODUCTS
THAT PERFORM**

TILLER EXTENSIONS

BALL END & GOLF GRIP SWIVEL STICKS



Part No.	Model No.	Length
102000	SW-18	18 in.
102001	SW-24	24 in.
102002	SW-30	30 in.
102003	SW-36	36 in.
102008	SWG-18	18 in.
102004	SWG-24	24 in.
102005	SWG-30	30 in.
102006	SWG-36	36 in.

BALL END TWIST LOCK



Part No.	Model No.	Telescopes:
104016	TFP-S	19" to 32"
104017	TFP-M	27" to 48"
105110	STX 30"	Fixed
105120	STX 36"	Fixed
108100	SF-S	19" to 32"
108101	SF-M	27" to 48"

"BIG STICKS" CARBON FIBER

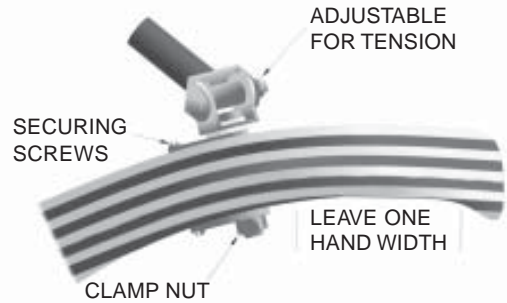
"NEW"



Part No.	Model No.	Length
102213	Big Stick Carbon	24 in.
102214	Big Stick Carbon	30 in.
102215	Big Stick Carbon	36 in.
102216	Big Stick Carbon	72 in.
102217	Big Stick Carbon	48 in.

Our rugged, light weight "Big Sticks" are built to last the test of time on any go fast dinghy or keel boat. They are simple yet elegant. Nothing to go wrong. 7/8" diameter shaft for a solid grip for either men or women. NO frills, just an extension! Black only. Simply cut the tube to length and epoxy the "Speed-Lock" fitting on to the end of the tube. Epoxy kit supplied with each new "Big Sticks" extension

**StaFAST™
CONNECTION**



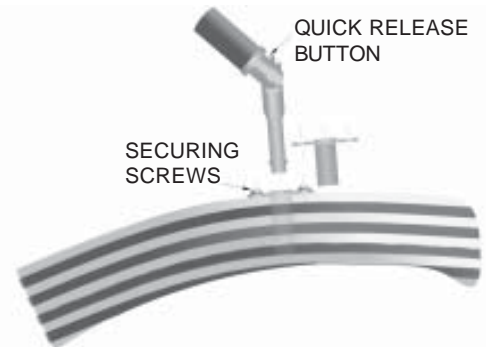
ADJUSTABLE FOR TENSION

SECURING SCREWS

LEAVE ONE HAND WIDTH

CLAMP NUT

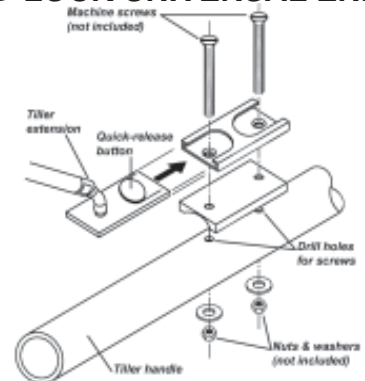
TFP QUICK RELEASE END



QUICK RELEASE BUTTON

SECURING SCREWS

SPEED-LOCK UNIVERSAL END (SL)



Machine screws (not included)

Tiller extension

Quick-release button

Drill holes for screws

Tiller handle

Nuts & washers (not included)

To Replace Universal Joint



Easily replaceable universal joint

BASE DIMENSIONS

1-1/4" X 2"

HOLE SPACING

1-1/4" CENTERS

FORESPAR PRODUCTS CORP.

PHONE 949-858-8820 FAX 949-858-0505

EMAIL sales@forespar.com

WEBSITE www.forespar.com